

HITACHI

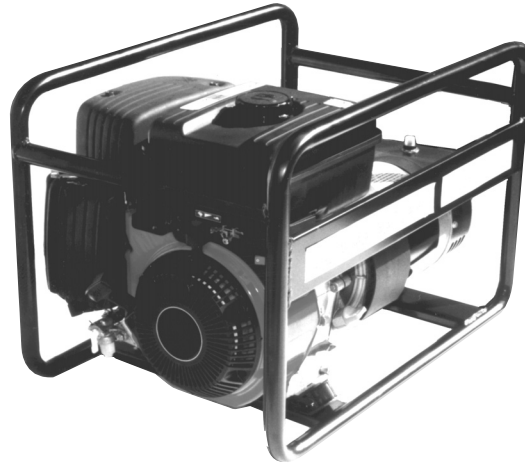
Model

Модель

E24SB·E35SB·E42SB

Generator

Генератор



SAFETY INSTRUCTIONS AND INSTRUCTION MANUAL

WARNING

Improper and unsafe use of this generator can result in death or serious bodily injury!
This manual contains important information about product safety. Please read and understand this manual before operating the generator. Please keep this manual available for other users and owners before they use the generator. This manual should be stored in safe place.

ИНСТРУКЦИЯ ПО БЕЗОПАСНОСТИ И ЭКСПЛУАТАЦИИ

ВНИМАНИЕ

Неправильная эксплуатация генератора и несоблюдение мер безопасности может привести к серьезным травмам или смерти!
Данное руководство содержит всю необходимую информацию по мерам безопасности при работе с оборудованием. Внимательно ознакомьтесь с данным руководством перед началом работы с генератором. Пожалуйста, предоставьте другим пользователям данную инструкцию, прежде чем они начнут работать с генератором. Данное руководство необходимо хранить в безопасном месте.

Hitachi Koki

CONTENTS

English

| | PAGE | | |
|---|------|------------------------------------|----|
| IMPORTANT SAFETY INFORMATION | 3 | SPECIFICATIONS | 8 |
| MEANINGS OF SIGNAL WORDS | 3 | TRANSPORTING/STORAGE | 9 |
| SAFETY | 3 | ASSEMBLY | 9 |
| IMPORTANT SAFETY INSTRUCTIONS FOR USING GENERATORS | 3 | APPLICATIONS | 10 |
| SAFETY LABEL LOCATIONS | 5 | PREPARATION BEFORE OPERATION | 10 |
| GROUNDING THE GENERATOR | 6 | OPERATION | 11 |
| REPLACEMENT PARTS | 6 | MAINTENANCE | 15 |
| OPERATION AND MAINTENANCE | 7 | SERVICE AND REPAIRS | 19 |
| COMPONENTS | 7 | WIRING DIAGRAM | 19 |

ОГЛАВЛЕНИЕ

РУССКИЙ

| | СТРАНИЦА | | |
|--------------------------------------|----------|--------------------------------|----|
| ВАЖНАЯ ИНФОРМАЦИЯ ПО БЕЗОПАСНОСТИ .. | 21 | СПЕЦИФИКАЦИИ | 26 |
| ЗНАЧЕНИЯ КЛЮЧЕВЫХ СЛОВ | 21 | ТРАНСПОРТИРОВКА/ХРАНЕНИЕ | 27 |
| БЕЗОПАСНОСТЬ | 21 | СБОРКА | 27 |
| ВАЖНАЯ ИНФОРМАЦИЯ ПО БЕЗОПАСНОСТИ .. | 21 | ПРИМЕНЕНИЕ | 28 |
| НАКЛЕЙКИ СО ЗНАКАМИ БЕЗОПАСНОСТИ .. | 23 | ПОДГОТОВКА К РАБОТЕ | 28 |
| ЗАЗЕМЛЕНИЕ | 24 | РАБОТА С ГЕНЕРАТОРОМ | 29 |
| ЗАМЕНА ЗАПЧАСТЕЙ | 24 | ТЕХНИЧЕСКОЕ ОБСЛУЖИВАНИЕ | 33 |
| ПРАВИЛА ЭКСПЛУАТАЦИИ | 25 | ОБСЛУЖИВАНИЕ И РЕМОНТ | 37 |
| КОМПОНЕНТЫ | 25 | МОНТАЖНАЯ СХЕМА | 37 |

IMPORTANT SAFETY INFORMATION

Read and understand all of the safety precautions, warnings and operating instructions in the Instruction Manual before operating or maintaining this generator.

Most accidents that result from generator operation and maintenance are caused by the failure to observe basic safety rules or precautions. An accident can often be avoided by recognizing a potentially hazardous situation before it occurs, and by observing appropriate safety procedures.

Basic safety precautions are outlined in the "SAFETY" section of this Instruction Manual and in the sections, which contain the operation and maintenance instructions.

Hazards that must be avoided to prevent bodily injury or machine damage are identified by WARNINGS on the generator and in this Instruction Manual.

NEVER use this generator in a manner that has not been specifically recommended by HITACHI.

MEANINGS OF SIGNAL WORDS

WARNING indicates a potentially hazardous situations which, if ignored, could result in death or serious injury.

CAUTION indicates a potentially hazardous situations which, if not avoided, may result in minor or moderate injury, or may cause machine damage.

NOTE emphasizes essential information.

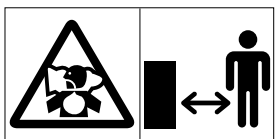
SAFETY

IMPORTANT SAFETY INSTRUCTIONS FOR USING GENERATORS

READ ALL OF THE WARNINGS AND OPERATING INSTRUCTIONS IN THIS MANUAL BEFORE OPERATING OR MAINTAINING THIS GENERATOR:



⚠ WARNING: Read and understand all instructions. Familiarity and proper training are required for the safe operation of generators. A generator operated improperly or by untrained personnel can be dangerous. Become familiar with all of the generator's controls, output receptacles and connections. Know how to stop generator in case of emergency. Failure to follow all instructions listed below may result in electrical shock, property damage, and/or serious personal injury or death. Do not operate the generator unless it is fully assembled.



⚠ WARNING: CARBON MONOXIDE HAZARDS
 Exhaust contains poisonous carbon monoxide, a colorless and odorless gas. Breathing exhaust can cause loss of consciousness and may lead to death. If you run the generator in an area that is confined, or even partially enclosed the air you breathe could contain a dangerous amount of exhaust gas. To keep exhaust from building up, provide adequate ventilation. Do not operate the generator in a room, cave, or tunnel unless professionally installed exhaust hoses are used.



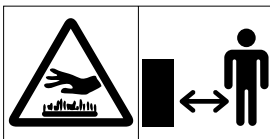
⚠ WARNING: ELECTRIC SHOCK HAZARDS

The generator produces enough electrical power to cause serious shock or electrocution if misused. Using a generator or an electrical device in wet conditions — near water, on wet grass, in damp areas, in rain or snow — could result in electrocution. Keep the generator dry at all times.

This generator is not designed to be stored outdoors unprotected from the weather. Moisture or ice can cause a malfunction or short in electrical components, which could result in electrocution.

Check all electrical components on the control panel before each use.

Do not connect this generator to any building's electrical system unless a licensed electrician has installed an isolation switch. Failure to do so can result in property damage or death.



⚠ WARNING: FIRE & BURN HAZARDS

The exhaust system gets hot enough to ignite some materials. Keep generator at least 1 (one) meter away from buildings and other equipment during or immediately after operation.

Never enclose generator in any structure. Keep all flammable materials away from the generator.

The muffler becomes very hot during operation and remains hot for some time after the engine stops. Do not touch the muffler while the engine is running or hot.

Allow the engine and the muffler to cool before storing. See storing instructions on page 9 of this manual.

Gasoline is highly flammable and poisonous. Always stop the engine and allow the muffler to cool before refueling. Never refuel while smoking or in the vicinity of an open flame or sparks. Never smoke near the generator.

Always check for spilled fuel or fuel leaks. Make sure that any spilled fuel has been wiped up before starting the generator. When operating or transporting the generator, be sure that it is kept upright. If the unit tilts, fuel may leak from the carburetor or fuel tank.

1. NEVER TOUCH MOVING PARTS.

Never place your hands, fingers or other body parts near the generator's moving parts.

Never insert your fingers or other objects into the housing's ventilator. Such an action invites the danger of injuries or electric shocks.

2. NEVER USE GENERATOR FOR APPLICATIONS OTHER THAN THOSE SPECIFIED.

Never use generator for applications other than those specified in the Instruction Manual.

3. ALWAYS KEEP WORK AREA CLEAN.

Avoid injuries by not cluttering the work areas.

4. NEVER PERMIT CHILDREN OR OTHERS TO LOITER NEAR THE WORK AREA.

Keep all people (especially children) away from the work area.

5. ALWAYS WEAR PROPER APPAREL WHEN WORKING WITH THE TOOL.

Never wear loose clothing, gloves, neckties, rings, bracelets or other jewelry which may get caught in the moving parts. Always wear non-slip footwear, preferably with steel toes.

Wear protective hair covering to contain long hair.

6. When servicing this generator, use only authorized replacement parts.

7. Never operate the generator when you are tired, after you have taken any medications, or have consumed any alcoholic beverages.

8. Do not place inflammables near the generator.
Be careful not to place fuel, matches, gunpowder, oily cloths, straw, trash, or any other inflammables near the generator.
9. Do not enclose the generator nor cover it with a box.
The generator has a built-in forced air cooling system, and may become overheated if it is enclosed.
10. Operate the generator on a level surface.
It is not necessary to prepare a special foundation for the generator. However, the generator will vibrate on an irregular surface, so choose a level place without surface irregularities. If the generator is tilted or moved during operation, fuel may spill and/or the generator may tip over, causing a hazardous situation. Proper lubrication cannot be expected if the generator is operated on a steep incline or slope. In such a case, piston seizure may occur even if the oil is above the upper level.
11. Pay attention to the wiring from the generator to the connected device.
If the wire is under the generator or in contact with a vibrating part, it may break and possibly cause a fire or generator burnout.
12. Do not operate in rain or with wet hands.
The operator may suffer severe electric shock if the generator is wet due to rain or snow. If wet, wipe and dry it well before starting. Do not pour water directly over the generator, not wash it with water.
13. No smoking while handling the battery.
The battery emits flammable hydrogen gas, which can explode if exposed to electric arcing or open flame. Keep the area well-ventilated and keep open flames/sparks away when handling the battery.
14. Do not operate the generator under the following condition: rainwater, seawater and salty breezes.
If the generator is used under the above condition, it may break and the operator may suffer severe electric shock.

SAFETY LABEL LOCATIONS

These labels warn you of potential hazards that can cause serious injury. Read the labels and safety notes and precautions described in this manual carefully.

SAFETY LABEL

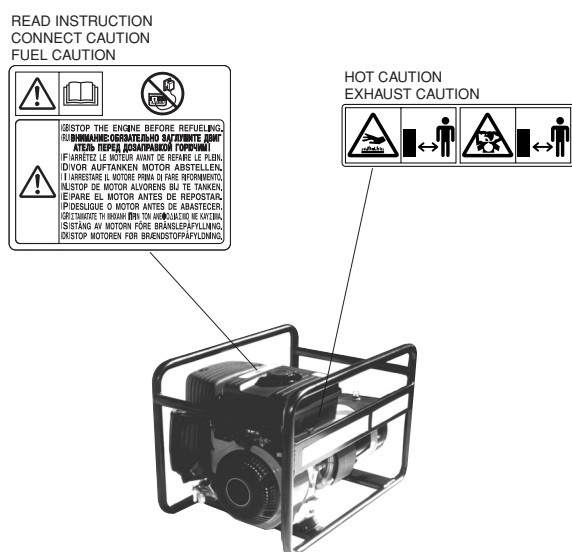


Fig. 1

CE MARK, GOST MARK AND NOISE LABEL LOCATION

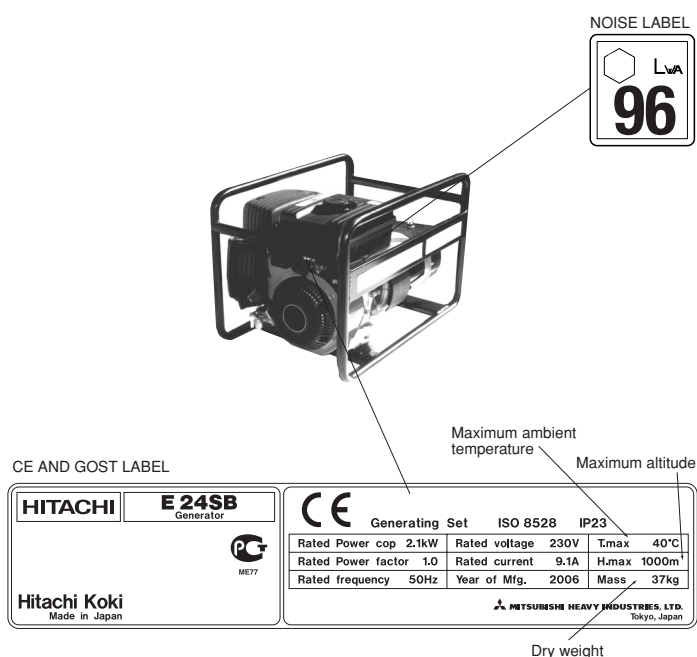


Fig. 2

GROUNDING THE GENERATOR

Grounding the generator helps prevent electric shock from a ground fault condition. To ground the generator you will need a ground wire and grounding stake. These are not supplied with the generator. The ground wire should be a 3.5mm², stranded-copper wire. The grounding point should be copper or brass.

1. Locate the ground terminal side of the generator control panel.
2. Attach a ground wire to the ground terminal.
3. Drive the grounding point into the ground.
4. Attach the ground wire to the grounding point.

⚠ WARNING: Use only grounded extension cords. Use only three wire or double-insulated power tools.

⚠ WARNING: Do not use metal pipe that is being used to carry combustible materials or gasses for the grounding point.

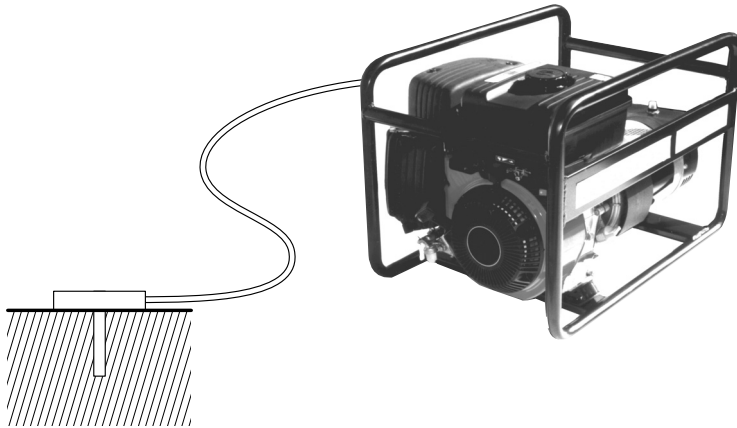


Fig. 3

REPLACEMENT PARTS

When servicing use only identical replacement parts.

Repairs should be conducted only by a HITACHI authorized service center.

USE PROPER ELECTRICAL CORD

⚠ WARNING: Avoid electrical shock hazard. Never use this generator with a damaged or frayed electrical cord or extension cord. Inspect all electrical cords regularly. Never use in or near water or in any environment where electric shock is possible.

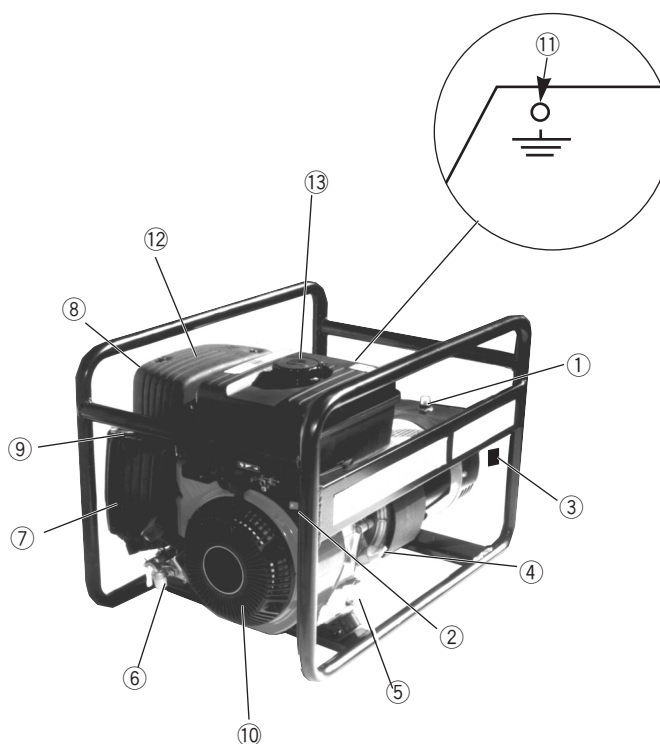
**SAVE THESE INSTRUCTIONS
AND
MAKE THEM AVAILABLE TO
OTHER USERS
AND
OWNERS OF THIS GENERATOR!**

OPERATION AND MAINTENANCE

NOTE: The information contained in this Instruction Manual is designed to assist you in the safe operation and maintenance of the generator. Some illustrations in this Instruction Manual may show details or attachments that differ from those on your own generator.

COMPONENTS

MODEL E24SB, E35SB, E42SB



- | | |
|----------------------|-------------------|
| ① AC CIRCUIT BREAKER | ⑧ SPARK PLUG |
| ② ENGINE SWITCH | ⑨ CHOKE LEVER |
| ③ AC RECEPTACLE | ⑩ RECOIL STARTER |
| ④ OIL FILLER CAP | ⑪ GROUND TERMINAL |
| ⑤ OIL DRAIN PLUG | ⑫ MUFFLER |
| ⑥ FUEL COCK | ⑬ FUEL TANK CAP |
| ⑦ AIR CLEANER | |

Fig. 4

SPECIFICATIONS

| | | | |
|------------|----------------------------|--|----------------|
| | Model | E24SB | |
| ALTERNATOR | Type | Brushless, Revolving Field, Self-exciting, 2-poles, Single phase | |
| | AC Voltage | 50Hz | 230V |
| | Max. Output | 50Hz | 2,400W |
| | Rated Output | 50Hz | 2,100W |
| | Rated Current | | 9.1A |
| | Voltage Regulator | | Condenser Type |
| | Power Factor | | 1.0 |
| | Model | MITSUBISHI GM182P | |
| ENGINE | Type | Air-cooled, 4 cycle, OHV, Gasoline Engine | |
| | Displacement | 181cm ³ | |
| | Fuel | Regular Automobile Gasoline | |
| | Fuel Tank Capacity | 3.8 L | |
| | Rated Continuous Operation | 50Hz | 3.0 h |
| | Lubricating Oil | Engine Oil SE Class or Higher | |
| | Lubricating Oil Capacity | 0.6 L | |
| | Starting System | Recoil Starter | |
| DIMENSION | Length × Width × Height | 589 × 400 × 405 mm | |
| | Dry Weight | 37 kg | |

Specifications are subject to change without notice.

| | | | | |
|-----------------|----------------------------|--|-------------------|--------|
| | Model | E35SB | E42SB | |
| ALTERNATOR | Type | Brushless, Revolving Field, Self-exciting, 2-poles, Single phase | | |
| | AC Voltage | 50Hz | 230V | |
| | Max. Output | 50Hz | 3,500W | 4,200W |
| | Rated Output | 50Hz | 2,800W | 3,600W |
| | Rated Current | | 12.2A | 15.7A |
| | Voltage Regulator | | Condenser Type | |
| | Power Factor | | 1.0 | |
| | Model | MITSUBISHI GM291P | MITSUBISHI GM301P | |
| ENGINE | Type | Air-cooled, 4 cycle, OHV, Gasoline Engine | | |
| | Displacement | 296cm ³ | | |
| | Fuel | Regular Automobile Gasoline | | |
| | Fuel Tank Capacity | 6.0 L | | |
| | Rated Continuous Operation | 50Hz | 3.0 h | |
| | Lubricating Oil | Engine Oil SE Class or Higher | | |
| | Lubricating Oil Capacity | 1.0 L | | |
| Starting System | Recoil Starter | | | |
| DIMENSION | Length × Width × Height | 683 × 492 × 485 mm | | |
| | Dry Weight | 55 kg | 58 kg | |

Specifications are subject to change without notice.

TRANSPORTING / STORAGE

Transporting

- ⚠ CAUTION:** Units are heavy. Observe safe lifting procedures when transporting. Before transporting generator, it is important to turn off both the engine switch and the fuel cock. Keep generator level at all times to prevent fuel spillage. Fuel vapor or spilled fuel may ignite.
- ⚠ WARNING:** Contact with a hot engine or exhaust system can cause serious burns or fires. Let the engine and muffler cool before transporting the generator.

Storage

Make sure that the generator storage area is free of excessive humidity and dust. Store the generator in dry, well-ventilated area.

- ⚠ WARNING:** Contact with a hot engine or exhaust system can cause serious burns or fires. Let the engine and muffler cool before storing the generator.

ASSEMBLY

- ⚠ CAUTION:** The generator is too heavy to be lifted by one person. Obtain assistance from others before you try to move it. Otherwise, Serious injury can result from attempting to lift too heavy an object.

NOTE: Install the wheel kit (option for E35SB, E42SB) before adding gasoline or engine oil to prevent damage to the engine. If you are installing accessories after running the generator, be sure that the fuel tank is empty, and that the fuel cock is turned to the off position, that is, horizontal to the ground. Be sure that the oil is drained from the engine.

ACCESSORY

ASSEMBLING THE WHEEL KIT (optional)

(The Same Usage for E35SB, E42SB)

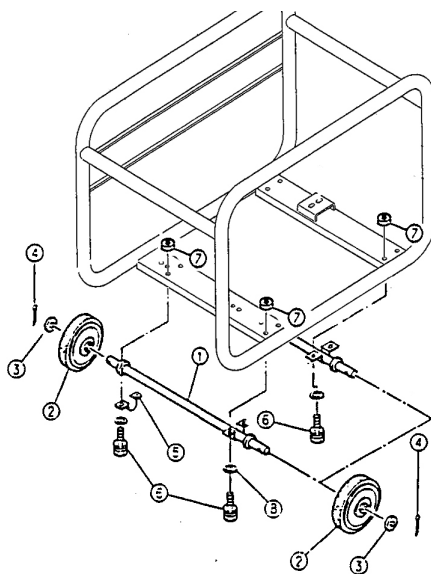


Fig. 5

Assembly Procedures

1. Drain the oil by removing the oil drain plug.
2. Drain the gasoline by removing the cup of fuel cock.
3. Attach the wheels ② to the wheel-shaft ①
4. Insert the split-pin ④ into the hole that is on the wheel-shaft ①, after putting in the washer ③ to the wheel-shaft, for the prevention of detaching the wheels ② from the wheel-shaft ①.
5. Prepare 2 sets of the above wheel-shaft assembly.
6. Attach the wheel-shaft assembly to the frame-base, making use of the brackets ⑤, the bolts ⑥, washers ⑧ and nuts ⑦.
7. Finally, attach the above 2 wheel-shaft assemblies to the front and rear of the frame-base.

⚠ CAUTION: For your safety, don't fail to fix the wheels with wheel brakes for the prevention of moving. Don't operate the generator set at an inclined foundation.

Parts Number: KY90076DA

APPLICATIONS

Power source of electric appliances and tools.

⚠ WARNING: HITACHI electronic controlled products should not be used with portable generators. Irregular generator power could cause these products to fail. Regarding other manufacturer's products, please contact the manufacturer to see if it is safe to use the electronic controlled products with portable generators.

PREPARATION BEFORE OPERATION

Before starting the generator, check the oil and fuel levels. Be sure that the air cleaner is functioning. Follow the guidelines below when adding oil and fuel.

NOTE: There is no oil in the engine crankcase when the generator is shipped. You must add oil before starting the engine. Check the oil level before each use with the generator on a level surface and the engine stopped.

Engine oil is a major factor affecting engine performance and service life. Non-detergent and 2-stroke oils will damage the engine and are not recommended. Use 4-stroke motor oil that meets or exceeds the requirements for API service classification SE or Higher.

Always check the API SERVICE label on the oil container to be sure it includes the letters SE or Higher. SAE 10W-30 or 10W-40 is recommended for general, all-temperature use. Other viscosities shown in Fig.6 may be used when the average temperature in your area is within the indicated range.

CHECKING THE OIL

1. Remove the oil filler cap and wipe the dipstick clean.
2. Check the oil level by inserting the dipstick into the filler neck without screwing it in.
3. If the test shows no oil markings, the oil is low.
4. If the level is low, add the recommended oil to the upper mark on the dipstick.

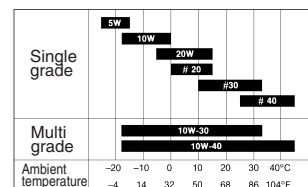


Fig. 6

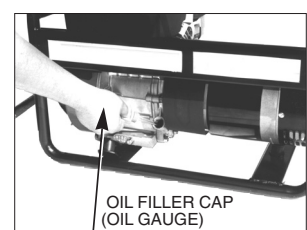


Fig. 7

OIL CAPACITY

| HITACHI Model | Liters |
|---------------|--------|
| E24SB | 0.6 |
| E35SB,E42SB | 1.0 |

NOTE: If the oil level is too low, the oil alert system will shutdown the engine and prevent engine from restarting.

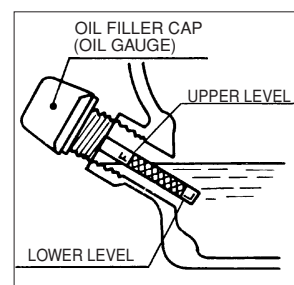


Fig. 8

FUEL

⚠ WARNING: Gasoline is flammable and its vapor is explosive. To prevent fire or explosion, follow the guidelines below:

- Keep fuel out of the reach of children.
- Refuel the generator in well-ventilated area. Do not refuel while engine is running or hot. Disconnect all electrical loads and shut off the engine before refueling.
- Do not overfill the fuel tank. Always allow room for fuel vapors to expand. If you overfill the tank, fuel can overflow onto the hot engine. This can cause fire or explosion. After refueling, tightly close the fuel tank cap.
- Do not spill fuel. Fuel or fuel vapor may ignite. If fuel spills, make sure that the area is dry before starting the engine.
- Never smoke in the refueling area. Never allow open flames or sparks in area.
- Store fuel in an approved container. Store fuel in a well ventilated area free of open flames or sparks.

FUEL TANK CAPACITY

| HITACHI Model | Liters |
|---------------|--------|
| E24SB | 3.8 |
| E35SB,E42SB | 6.0 |

Check the fuel and refill the tank if the fuel level is low. Refuel carefully to avoid spilling fuel. Do not fill above the shoulder of the fuel strainer. (until upper limit red line).

Use unleaded gasoline with a pump octane rating of 86 or higher.

The engine is certified to operate on unleaded gasoline.

Unleaded gasoline produces fewer engine and spark plug deposits and extends exhaust system life. Never use stale or contaminated gasoline. Avoid getting dirt or water in the fuel tank.

Always keep the fuel strainer in place while refueling.

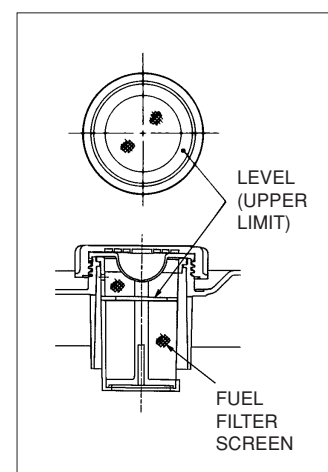


Fig. 9

OPERATION**STARTING GENERATOR**

⚠ WARNING: Before starting the generator, be sure that you read and understand all the safety and operating instructions in this manual.

1. Disconnect all electrical loads from the generator.

2. Open the fuel cock.

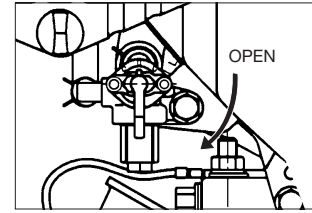


Fig. 10

3. Push the engine switch to the ON position.

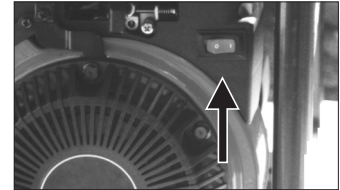


Fig. 11

4. Set the choke lever to "CLOSE" (arrow mark). Not necessary if the engine is warm.

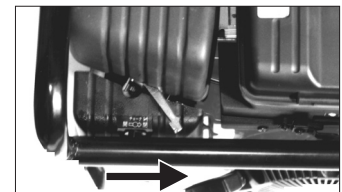


Fig. 12

5. Pull the starter handle slowly until resistance is felt. This is the "Compression" point. Return the handle to its original position and pull swiftly.

- Do not fully pull out the rope.
- After starting, allow the starter handle to return to its original position while still holding the handle.
- If the engine fails to start after several attempts, repeat above procedures with choke lever returned to "OPEN" position.

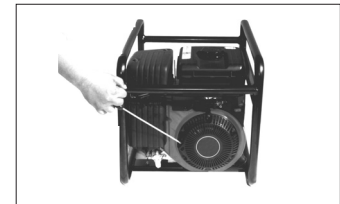


Fig. 13

6. After the engine started, return the choke lever gradually to "OPEN" position.

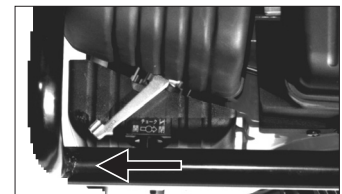


Fig. 14

7. Warm up the engine without a load for a few minutes.

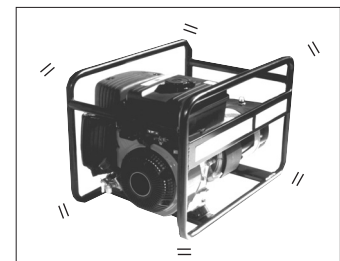


Fig. 15

NOTE: Do not allow the starter handle to snap back. Return it slowly by hand.

NOTE: If the oil level in the engine is low, the engine will not start. If the engine does not start, check the oil level and add oil as needed.

NOTE: To ensure maximum oil lubrication, place the generator on a level surface.

USING ELECTRIC POWER

1. Turn off the switch(es) of the electrical appliance(s) before connecting to the generator.
2. Insert the plug(s) of the electrical appliance(s) into the receptacle.
 - Use 16 ampere type receptacles.
 - Be sure that the total wattage of all appliances does not exceed the rated output of the generator.
3. Turn on the switch(es) of the electrical appliances.

⚠ WARNING: Be sure to ground the generator if the connected electrical equipment is grounded.

NOTE: When the generator is overloaded, the circuit breaker will automatically activate to protect the generator and stop its output. Reduce the load to within the specified limits and reset the circuit breaker. Following this, restart the generator.

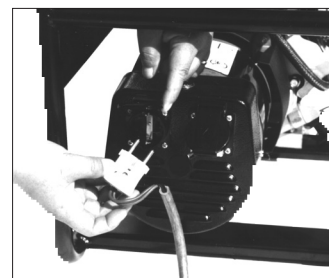


Fig. 16

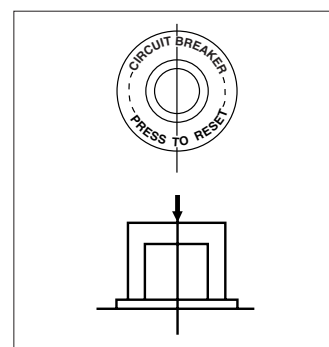


Fig. 17

STOPPING THE GENERATOR

1. Turn off the power switch of the electric equipment or unplug the cord from receptacle of the generator.
2. Allow the engine about 3 minutes to cool down at no-load before stopping.

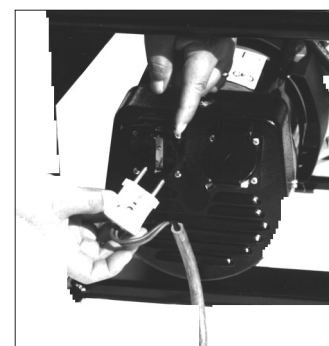


Fig. 18

3. Set the engine switch to "STOP" position.
4. Close (stop) the fuel cock.

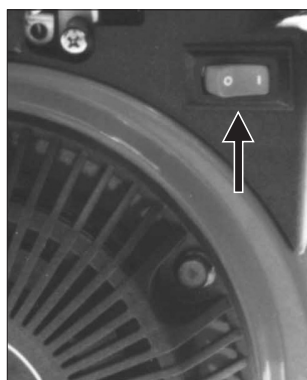


Fig. 19

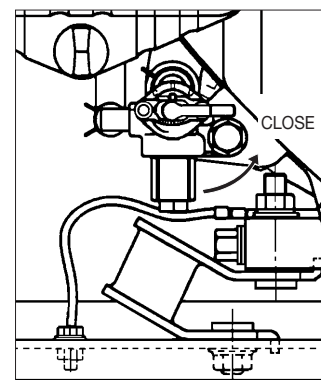


Fig. 20

OIL SENSOR

- The oil sensor detects the fall in oil in the crankcase and automatically stops the engine when the oil level fails down below the safety limit.
 - When engine has stopped automatically, check the oil level.
 - If the engine does not start by usual starting procedures, check the oil level.
- Run
 - Stop

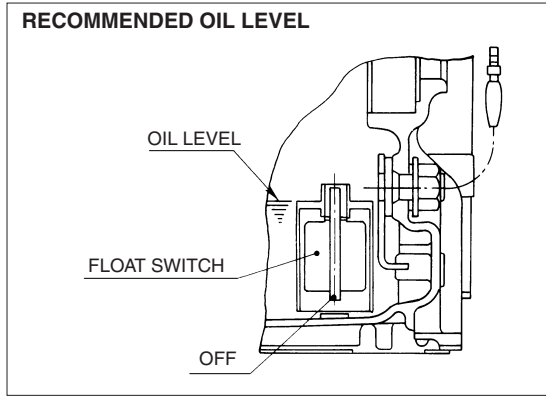


Fig. 21

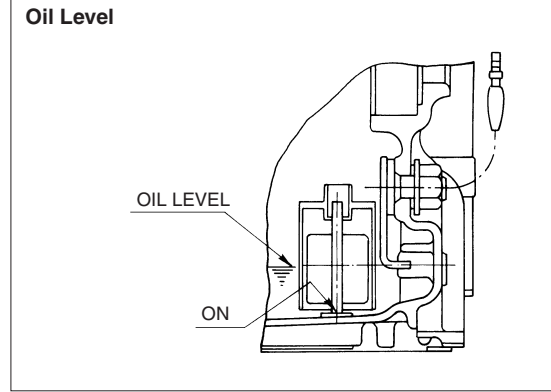

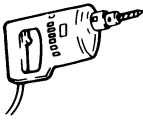


Fig. 22

SCOPE OF APPLICABILITY

It is recommended to use AC power sources within the following scope.

| Applicable instruments | Model | Scope of applicability | Remarks |
|--|-------|------------------------|---|
| | | 50Hz | |
| Light, Electric Heater, Radio, Television  | E24SB | Up to 2,100W | • The instruments which require much starting current and some kinds of motors may be unable to be used even if they are within the applicable scope. • The breaker turns OFF when the current exceeding the applicable scope is used or when the applied instrument is defective. |
| | E35SB | Up to 2,800W | |
| | E42SB | Up to 3,600W | |
| Motors with single phase  | E24SB | Up to 700W | |
| | E35SB | Up to 900W | |
| | E42SB | Up to 1,100W | |

⚠ WARNING: HITACHI electronic controlled products should not be used with portable generators. Irregular generator power could cause these products to fail. Regarding other manufacturer's products, please contact the manufacturer to see if it is safe to use the electronic controlled products with portable generators.

TROUBLESHOOTING

If the engine does not start

1. Check the fuel tank for sufficient fuel. Refill with fresh gasoline if necessary.
2. Check the engine oil. Fill to the upper limit with fresh oil.
3. Ensure that the fuel cock is open. The fuel cock is open when the lever is perpendicular to the ground (straight up and down).
4. Check that the spark plug cap is securely attached to the spark plug.
5. Inspect the air filter. Clean or replace it if necessary.
6. Disconnect all electrical loads from the generator, and turn the engine switch on.
7. Follow the starting procedures in this manual on page 11.

If the engine still does not start

1. Pull the starter handle 5-6 times.
2. Remove and inspect the spark plug.

If the spark plug is dry:

1. Ensure that there is fresh fuel in the tank and that the fuel cock is open.
2. Reinstall the spark plug and spark plug cap.
3. Try to start the engine again by following the starting procedures in this manual on page 11.
4. If the engine fails to start, take the generator to an authorized HITACHI service center.

If the spark plug is wet.

1. Clean, gap, or replace the spark plug.
2. Reinstall the spark plug and spark plug cap.
3. Try to start the engine again by following the starting procedures in this manual on page 11.
4. If the engine fails to start, take the generator to an authorized HITACHI service center.

If there is no power to the receptacles

1. Disconnect all electrical loads from the generator.
2. Reconnect the electrical loads. Be sure that the plugs are securely connected to the receptacles.
3. If there is still no power at the receptacles, take the generator to an authorized HITACHI service center.

MAINTENANCE

IMPORTANCE OF MAINTENANCE

Good maintenance is essential for safe, economical, and trouble-free operation. It will also help reduce air pollution.

⚠ WARNING: Improper maintenance or failure to correct a problem before operation can cause malfunction, serious injury, or death. Always follow the inspection and maintenance recommendation and schedules in this user's manual.

The following pages include a maintenance schedule, routine inspection procedures, and simple maintenance procedures using basic hand tools, to help you properly care for your generator. If you are not comfortable with any maintenance procedure, have the generator serviced by a professional technician.

Maintenance, replacement, or repair of the emission control devices and system may be performed by any engine repair establishment or individual, using parts that are "certified" to EU standards.

MAINTENANCE SAFETY

⚠ WARNING: Always follow the procedures and precautions in the owner's manual. Failure to properly follow maintenance instructions and precautions can lead to serious injury or death.

SAFETY PRECAUTIONS

⚠ CAUTION: Make sure that the engine is off before you begin any maintenance or repairs. This will eliminate several potential hazards, including:

- **Carbon monoxide poisoning from engine exhaust. Be sure there is adequate ventilation whenever you operate the engine.**
- **Burns from hot parts. Let the engine and exhaust system cool before you touch it to prevent burns.**
- **Injury from moving parts. Wear appropriate clothing, tie back long hair, and stay alert around the generator to prevent injury from moving parts.**

Read the instructions before you begin, and make sure you have the tools and skills required.

Your authorized service center knows your generator best and is fully equipped to do maintenance and repair.

To ensure the best quality and reliability, use only new genuine parts or their equivalents for repair or replacement.

⚠ CAUTION: To reduce the possibility of fire or explosion, be careful when working around gasoline. Use only a nonflammable solvent, not gasoline, to clean parts. Keep smoking, sparks, and flames away from all fuel-related parts.

MAINTENANCE SCHEDULE

| | |
|-------------------|---|
| Daily | <ul style="list-style-type: none"> ● Check the air cleaner ● Check oil level and refill to the upper level before starting the engine. ● Check all the points as follows: Fuel level at fuel gauge, Oil and Fuel leakage, Bolt and nut tightening Any damage of components. |
| 50 hours (Weekly) | <ul style="list-style-type: none"> ● Clean and wash air-cleaner element. More often if used in dirty or dusty environments. ● Change engine oil. (The initial oil change must be conducted after the first 25 hours operation.) ● Check spark plug, and clean and adjust if necessary. ● Check and clean the fuel cock. |
| 100 hours | <ul style="list-style-type: none"> ● Replace spark plug. ● Replace air-cleaner element. ○ Decarbonize cylinder head, valves and piston. |
| 3 years | <ul style="list-style-type: none"> ○ Inspect control panel components. ○ Check rotor and stator. ○ Replace engine mount rubber. ○ Overhaul engine. ● Change fuel lines. |

NOTE: Initial oil change should performed after first 25 hours of use. Thereafter change oil every 50 hours. Before changing oil, check for a suitable way to dispose of the old oil. Do not pour it down into sewage drains, onto garden soil or into open streams, Your local zoning environmental regulations will give you more detailed instructions on proper disposal.

Items marked with a ○ required advanced skill and tools, so they should be done by the authorized HITACHI Service Center.

ENGINE OIL CHANGE

Change engine oil every 50 hours.

(for a new engine, change oil after 25 hours.)

1. Drain oil by removing the oil drain plug and the oil filler cap while the engine is warm.
2. Reinstall the oil drain plug and fill the engine with oil until it reaches the upper level on the oil filler cap.
 - Use fresh and high quality lubricating oil to the specified quantity.
If contaminated or deteriorated oil is used or the quantity of the engine oil is not sufficient, the engine damage will result and its life will be greatly shortened.

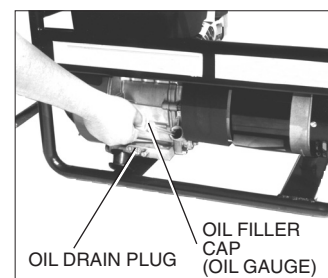


Fig. 23

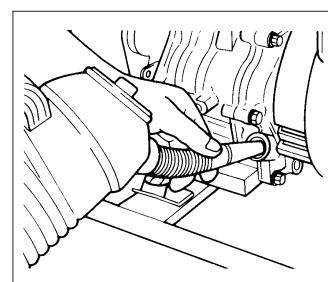


Fig. 24

Wash your hands with soap and water after handling used oil.

Please dispose of used motor oil and containers in a manner that will not harm the natural environment. We suggest you take it in a sealed container to your local service station or recycling center for reclamation. Do not throw it in the trash, pour it on the ground or down the drain.

NOTE: Never operate the generator without oil cap tightly secured. Failure to do so could cause oil to spill out of the engine.

AIR FILTER

A dirty air cleaner will restrict airflow to the carburetor. To prevent carburetor malfunction, service the air filter regularly. Service more frequently when operating the generator in extremely dusty areas.

NOTE: Never run the generator without the air cleaner. Rapid engine wear will result.

1. Take out the air cleaner, clean it well in kerosene and dry it.
2. After wetting the element by clean engine oil, squeeze it tight by hand.
3. Lastly, put the element in the case and install it securely.

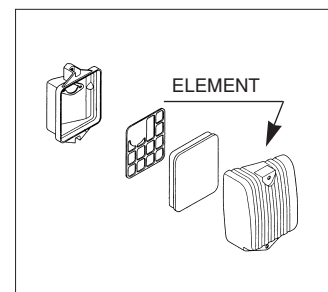


Fig. 25

CLEANING FUEL STRAINER (FUEL COCK)

The fuel strainer removes dirt and water in the fuel.

1. Remove the strainer cup and throw away water and dirt.
2. Clean the screen and strainer cup with gasoline.
3. Tightly fasten the cup to main body, making sure to avoid fuel leak.

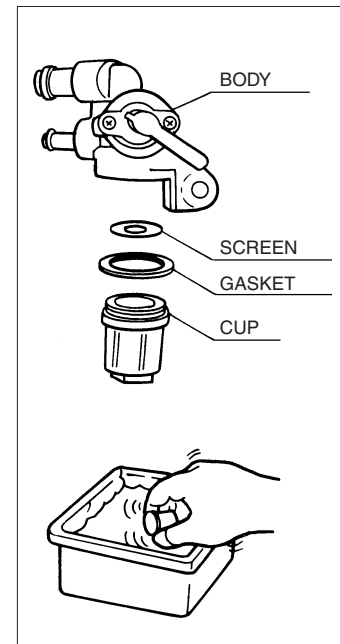


Fig. 26

SPARK PLUG SERVICE

To service the spark plug, use plug wrench (standard accessory). Use recommended spark plugs.

RECOMMENDED PLUG AND ELECTRODE CLEARANCE

| HITACHI Model | Plug | Electrode Clearance |
|---------------|--------------|---------------------------------|
| E24SB | BPR6HS (NGK) | 0.6 to 0.7mm (0.024" to 0.028") |
| E35SB,42SB | BPR5ES (NGK) | 0.7 to 0.8mm (0.028" to 0.031") |

To ensure proper engine operation, the spark plug must be properly gapped and free of deposits.

⚠ CAUTION: If the engine has been running, the muffler will be very hot. Be careful not to touch the muffler. Be sure to allow the engine to cool before you touch the spark plug.

1. Remove the spark plug cap.
2. Clean any dirt from around the spark plug base.
3. Use a spark plug wrench to remove the spark plug.
4. Visually inspect the spark plug. Replace it if the insulator is cracked or chipped.
Clean the spark plug with a wire brush if you plan to reuse it.
5. Measure the plug gap with the feeler gauge. Correct as necessary by carefully bending the side electrode (Fig.27).
6. Check that the spark plug washer is in good condition. If it is not, thread the spark plug in by hand to prevent cross threading.
7. After the spark plug is seated, tighten with a spark plug wrench to compress the washer. If you are installing a new spark plug, tighten the spark plug 1/2 turn after it seats to compress the washer. If you are reinstalling a used spark plug, tighten 1/8–1/4 turn after the spark plug seats to compress the washer.

NOTE: The spark plug must be securely tightened. An improperly tightened spark plug can become very hot and could damage the engine. Never use spark plugs which have an improper heat range. Use only the recommended spark plugs or equivalent.

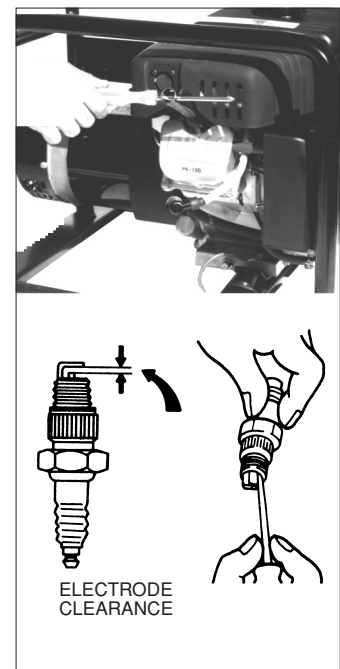


Fig. 27

PREPARATION FOR STORAGE

The following procedures should be followed prior to storage of your generator for periods of 3 months or longer.

1. Drain fuel from fuel tank carefully. Gasoline left in the fuel tank will eventually deteriorate making engine-starting difficult.
2. Loosen the drain screw on the bottom of the carburetor float chamber, and drain the fuel completely.
3. Change engine oil.
4. Check for loose bolts and screws, tighten them if necessary.
5. Clean generator thoroughly with oiled cloth. Spray with preservative if available.

NEVER USE WATER TO CLEAN GENERATOR!

6. Pull starter handle until resistance is felt, leaving handle in that position.
7. Store generator in a well ventilated, low humidity area.

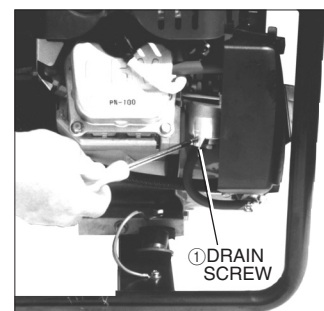


Fig. 28

SERVICE AND REPAIRS

All quality generators will eventually require servicing or replacement of parts because of wear from normal use. To assure that only authorized replacement parts will be used, all service and repairs must be performed by a HITACHI AUTHORIZED SERVICE CENTER, ONLY.

WIRING DIAGRAM

E24SB, E35SB, E42SB

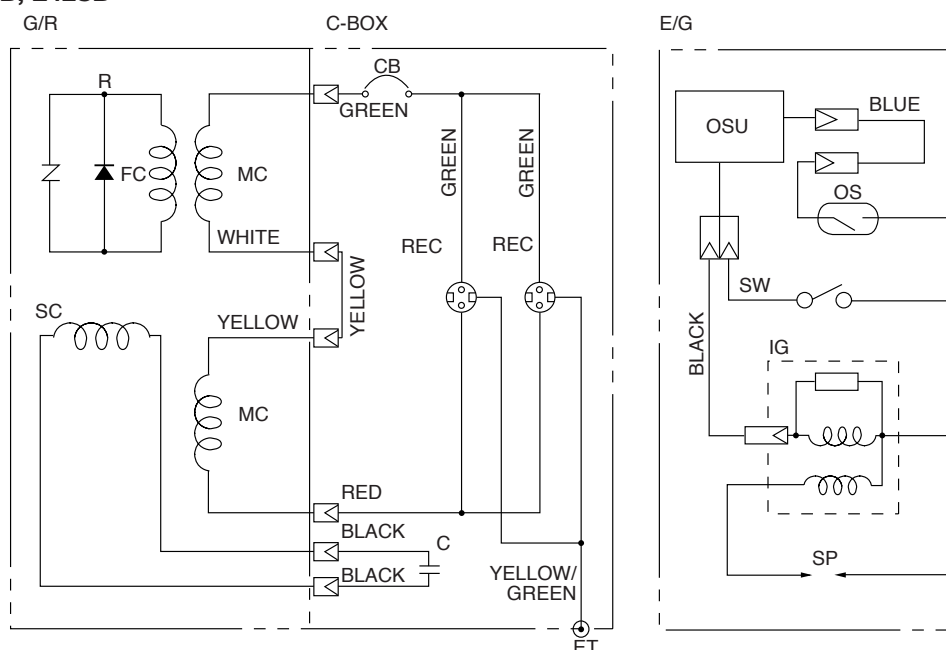


Fig. 29

| Symbol | Parts Name | Symbol | Parts Name | Symbol | Parts Name |
|--------|-------------------|--------|-----------------|--------|--------------------|
| E/G | Engine | R | Rotor CP | CB | AC circuit breaker |
| G/R | Generator | OSU | Oil sensor unit | C | Capacitor |
| C-BOX | Control box | ET | Ground terminal | SW | Engine switch |
| MC | AC wiring | SP | Spark plug | IG | Ignition coil |
| SC | Auxiliary winding | REC | AC receptacle | | |
| FC | Field winding | OS | Oil sensor | | |



ВАЖНАЯ ИНФОРМАЦИЯ ПО БЕЗОПАСНОСТИ

Перед началом работы с генератором внимательно ознакомьтесь с мерами безопасности, предупреждениями и инструкциями по безопасности в данном Руководстве.

Большинство несчастных случаев при эксплуатации генераторов возникает в результате несоблюдения основных правил безопасности и предостережений. Несчастных случаев можно избежать, если суметь вовремя предусмотреть потенциальную опасность и при соблюдении мер предосторожности.

Основные меры безопасности описаны в разделе «БЕЗОПАСНОСТЬ» данного Руководства, а также в разделах, в которых представлены инструкции по эксплуатации.

Ситуации, результатом которых могут стать серьезные телесные травмы или поломки прибора, обозначены словом «ВНИМАНИЕ» на самом генераторе и в данном Руководстве.

НИКОГДА не используйте генератор способом или в целях, не предусмотренных производителем HITECH.

ЗНАЧЕНИЯ КЛЮЧЕВЫХ СЛОВ

ВНИМАНИЕ обозначает потенциально опасные ситуации, которых следует избегать, в противном случае может возникнуть опасность для жизни или здоровья.

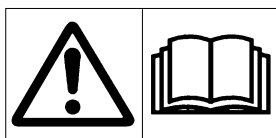
ОСТОРОЖНО обозначает потенциально опасные ситуации, которые могут привести к легким травмам или к поломке прибора.

ПРИМЕЧАНИЕ отмечает важную дополнительную информацию.

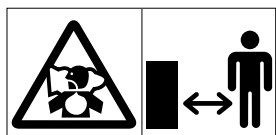
БЕЗОПАСНОСТЬ

ВАЖНЫЕ ИНСТРУКЦИИ ПО БЕЗОПАСНОСТИ ПРИ РАБОТЕ С ГЕНЕРАТОРОМ

ВНИМАТЕЛЬНО ОЗНАКОМЬТЕСЬ СО ВСЕМИ МЕРАМИ БЕЗОПАСНОСТИ И ИНСТРУКЦИЯМИ ПО ЭКСПЛУАТАЦИИ, ОПИСАННЫМИ В ДАННОМ РУКОВОДСТВЕ, ПЕРЕД НАЧАЛОМ РАБОТЫ С ГЕНЕРАТОРОМ:



⚠ ВНИМАНИЕ: Внимательно ознакомьтесь со всеми инструкциями. Для безопасной работы с прибором необходимо ознакомление с инструкциями и соответствующее обучение. Неправильная эксплуатация прибора или эксплуатация необученным человеком может быть опасной. Внимательно ознакомьтесь со всеми частями генератора. Изучите, как выключить генератор в случае необходимости. Несоблюдение приведенных ниже инструкций может привести к удару током, нанести вред имуществу и/или нанести серьезный вред здоровью или привести к смерти человека. Не включайте генератор, если он не до конца собран.



⚠ ВНИМАНИЕ: ОПАСНОСТЬ ВЫБРОСА МОНООКСИДА УГЛЕРОДА
Выбросы генератора содержат монооксид углерода – газ без цвета и запаха. Вдыхание его паров может привести к потере сознания или к смерти. При запуске генератора в замкнутом пространстве или помещении с ограниченным доступом воздуха концентрация выбросов может быть опасной для здоровья. Во избежание скопления выбросов необходимо обеспечить хорошую вентиляцию. Не включайте генератор в замкнутом пространстве, не обеспеченном хорошей вентиляцией и вытяжками.



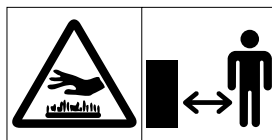
⚠ ВНИМАНИЕ: ОПАСНОСТЬ ЭЛЕКТРОШОКА

При неправильной работе генератора существует опасность электрошока или смерти от электрического удара. Использование генератора или других электрических приборов при повышенной влажности – около воды, на мокрой траве, во время дождя или снегопада – может привести к смерти от электрического удара. Всегда держите генератор сухим.

Генератор не предназначен для хранения незащищенным на улице.

Влага или лед могут привести к неправильной работе или к замыканию электрических частей, что может привести к смерти от электрического удара. Проверяйте все электрические части прибора на панели управления каждый раз перед началом работы.

Перед подключением генератора необходимо предварительно сделать заземление. Несоблюдение этого может нанести вред имуществу или привести к смерти человека.



⚠ ВНИМАНИЕ: ОПАСНОСТЬ ВОСПЛАМЕНЕНИЯ

Система выхлопа в процессе работы сильно нагревается, что может привести к воспламенению находящихся рядом материалов. В процессе работы и сразу после выключения генератор необходимо установить на расстоянии 1 (одного) метра от посторонних предметов. Запрещается накрывать генератор. Держите легковоспламеняющиеся материалы на безопасном расстоянии от генератора. В процессе работы генератора глушитель сильно нагревается и остается горячим некоторое время после его выключения. Не дотрагивайтесь до глушителя во время работы двигателя, и пока он остается горячим.

Генератор необходимо охладить перед упаковкой и транспортировкой. См. инструкции по хранению и транспортировке в разделе 7 данного Руководства. Бензин легко воспламеняется и является очень ядовитым. Перед дозаправкой генератора его необходимо выключить и охладить двигатель. Не заправляйте генератор рядом с открытым огнем или в месте, где могут возникать искры. Запрещается курить рядом с генератором.

Всегда проверяйте, нет ли утечек бензина. Разлившееся топливо необходимо насухо вытереть перед запуском генератора. Перед выполнением любых операций убедитесь, что генератор помещен на горизонтальную поверхность и жестко установлен. В противном случае из карбюратора или топливного бака может вытекать бензин.

1. НЕ ДОТРАГИВАЙТЕСЬ ДО ДВИЖУЩИХСЯ ЧАСТЕЙ.

Не подносите руки, пальцы и другие части тела к движущимся частям генератора. Не дотрагивайтесь до вентилятора, это опасно.

2. НЕ ИСПОЛЬЗУЙТЕ ГЕНЕРАТОР НЕ ПО НАЗНАЧЕНИЮ.

Не используйте генератор в целях, не описанных в данном Руководстве.

3. ДЕРЖИТЕ РАБОЧУЮ ЗОНУ ЧИСТОЙ.

Загрязнение рабочей зоны может привести к травмам.

4. НЕ ДОПУСКАЙТЕ ДЕТЕЙ И ПОСТОРОННИХ ЛЮДЕЙ К РАБОЧЕЙ ЗОНЕ.

Не допускайте посторонних (особенно детей) к рабочей зоне.

5. НАДЕВАЙТЕ СООТВЕТСТВУЮЩУЮ ОДЕЖДУ ПРИ РАБОТЕ С ПРИБОРОМ.

Не надевайте свободную одежду, перчатки, галстуки, кольца, браслеты и другие украшения, которые могут попасть в двигающиеся части генератора. Обувь не должна быть скользкой, предпочтительно стальные носы. Длинные волосы собирайте и надевайте головной убор.

6. При техническом обслуживании используйте только оригинальные запасные части.

7. Не приступайте к работе с генератором в состоянии сильной усталости, алкогольного опьянения или после приема лекарств.

8. Не размещайте рядом с генератором легковоспламеняющиеся материалы.
Рядом с генератором не должны находиться топливо, спички, порох, замасленная одежда, солома, мусор и другие легковоспламеняющиеся материалы.
9. Не вскрывайте генератор и не накрывайте его коробкой.
Генератор оснащен принудительной системой воздушного охлаждения и, если его накрыть, может перегреться
10. Генератор должен быть установлен на горизонтальной поверхности.
Нет необходимости создавать специальную подставку для генератора. Но его нельзя устанавливать на неровной поверхности, в противном случае будут создаваться вибрации. Если в процессе работы генератор не установлен устойчиво, он будет двигаться, в результате чего может выливаться топливо, а также сам генератор может опрокинуться, что приведет к созданию опасной ситуации.
Если генератор будет установлен на наклонной поверхности, не будет обеспечиваться надлежащая смазка трущихся деталей, что может привести к заклиниванию поршня даже если уровень масла в норме.
11. Следите за расположением электропровода, ведущего к потребителю электроэнергии.
Если генератор стоит на проводе или провод касается вибрирующих частей генератора, провод может быть поврежден, что приведет к пожару или возгоранию генератора.
12. Не запускайте генератор в дождь или мокрыми руками.
Работа с генератором в дождь или снег может привести к электрошоку.
Если генератор намок, перед запуском его необходимо насухо вытереть.
Не лейте воду на генератор, не мойте его.
13. Не курить при работе с аккумулятором.
Аккумулятор испускает водородный газ, который может загореться при соприкосновении с открытым огнем. Генератор должен находиться в хорошо проветриваемом помещении и избегайте возникновения пламени/искр при работе с аккумулятором.
14. Не запускайте генератор во время дождя и рядом с морской водой. В противном случае генератор может сломаться и может возникнуть опасность электрошока.

НАКЛЕЙКИ СО ЗНАКАМИ БЕЗОПАСНОСТИ

Данные знаки предупреждают Вас о возможной опасности серьезных травм. Внимательно изучите данные знаки и меры предосторожности, описанные в данном Руководстве.

ЯРЛЫК БЕЗОПАСНОСТИ

ЗНАК CE, ГОСТ И ЗНАК УРОВНЯ ШУМА

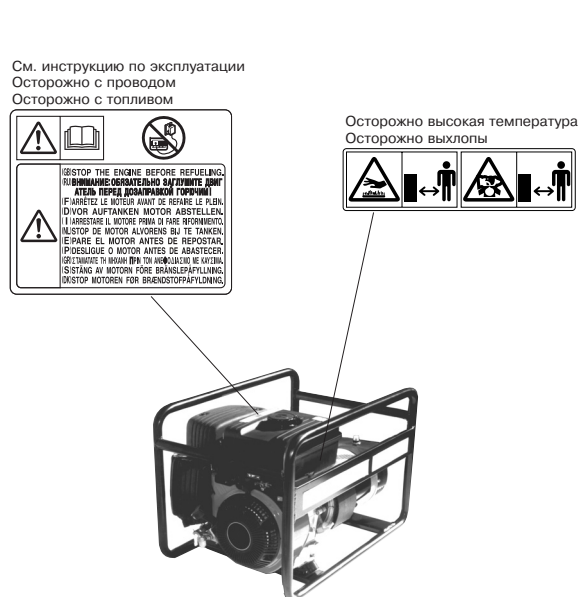


Fig. 1

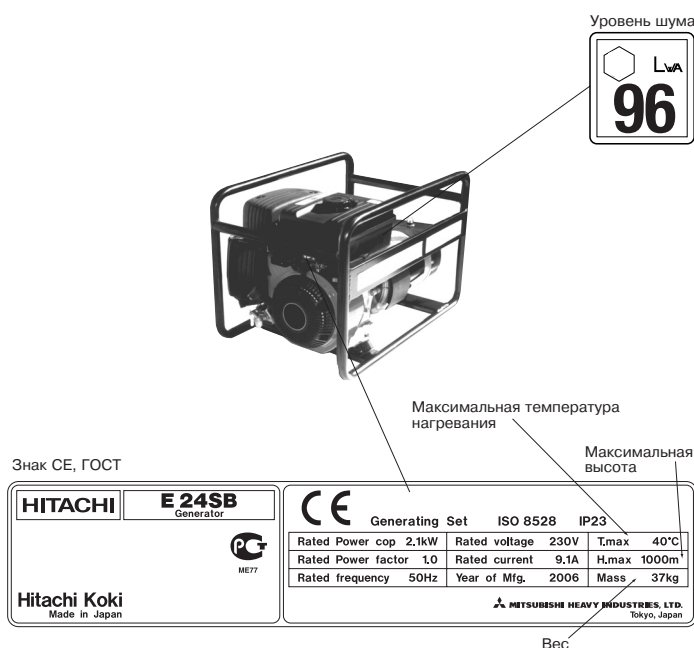


Fig. 2

ЗАЗЕМЛЕНИЕ

Заземление предотвращает возможность электрошока. Для заземления вам понадобится провод заземления и заземляющий стержень. Они не поставляются с генератором. Провод заземления должен быть с сечением 3.5mm², желателен из витой медной проволоки. Заземляющий стержень должен быть сделан из меди или латуни.

1. Закрепите провод заземления под панелью управления генератора .
2. Вставьте провод заземления в заземляющий штекер.
3. Вставьте заземляющий стержень в землю.
4. Подсоедините провод заземления к стержню.

⚠ ВНИМАНИЕ: Используйте только заземленный удлинительный шнур. Используйте электроинструмент только с трехжильным проводом или с проводом с двойной изоляцией.

⚠ ВНИМАНИЕ: В качестве точки заземления нельзя использовать металлические трубы, используемые для перекачки воспламеняющихся материалов или газов.

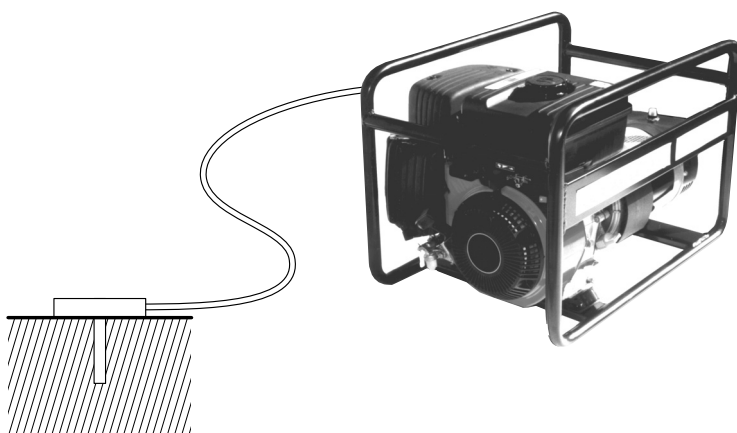


Fig. 3

ЗАМЕНА ЗАПЧАСТЕЙ

При сервисном обслуживании используйте только оригинальные запасные части.

Ремонт и сервисное обслуживание должны производиться специалистами авторизованных сервисных центров HITCHI.

ИСПОЛЬЗУЙТЕ ПОДХОДЯЩИЙ ЭЛЕКТРОПРОВОД

⚠ ВНИМАНИЕ: Избегайте опасности электрошока. Не используйте поврежденный электропровод. Не запускайте генератор в воде или около воды и в любом другом месте, где может возникнуть опасность электрошока.

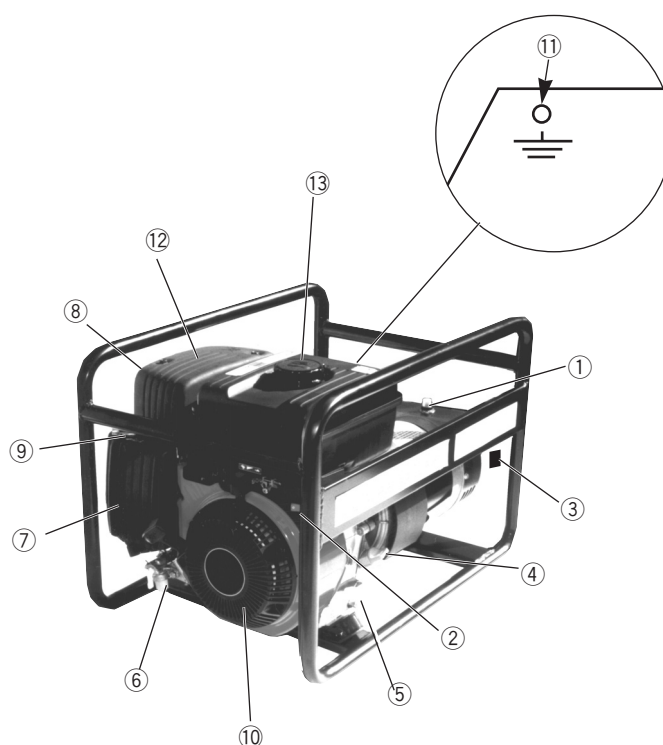
**СОХРАНИТЕ ДАННУЮ ИНСТРУКЦИИ И
ПРЕДОСТАВЬТЕ ЕЕ ВСЕМ ПОЛЬЗОВАТЕЛЯМ
ГЕНЕРАТОРА!**

ПРАВИЛА ЭКСПЛУАТАЦИИ

ВНИМАНИЕ: Информация в данной инструкции поможет Вам обеспечить правильную и безопасную работу с генератором. На некоторых иллюстрациях данного Руководства могут быть изображены детали, которые отсутствуют на Вашем генераторе.

КОМПОНЕНТЫ

МОДЕЛИ E24SB, E35SB, E42SB



- | | |
|---|--------------------------|
| ① Беспредохранительный прерыватель переменного тока | ⑧ Свеча зажигания |
| ② Выключатель двигателя | ⑨ Заслонка карбюратора |
| ③ Сетевая розетка переменного тока | ⑩ Трос стартера |
| ④ Крышка масляного фильтра | ⑪ Точка заземления |
| ⑤ Крышка дренажного отверстия для слива масла | ⑫ Глушитель |
| ⑥ Кран топливного бака | ⑬ Крышка топливного бака |
| ⑦ Воздушный фильтр | |

Fig. 4

СПЕЦИФИКАЦИИ

| МОДЕЛЬ | | E24SB | |
|----------------------------|-----------------------------------|--|----------------------|
| ГЕНЕРАТОР ПЕРЕМЕННОГО ТОКА | Тип | Бесщеточный, вращающееся поле, двухполярный, однофазный | |
| | Напряжение переменного тока | 50Гц | 230V |
| | Макс. Производительность | 50Гц | 2400W |
| | Номинальная мощность | 50Гц | 2100W |
| | Номинальная сила переменного тока | | 9,1A |
| | Регулятор напряжения | | Конденсаторного типа |
| | Коэффициент мощности | 1,0 | |
| Модель | | MITSUBISHI GM182P | |
| ДВИГАТЕЛЬ | Тип | С воздушным охлаждением, 4-тактный, OHV (с верхним расположением клапана), бензиновый двигатель | |
| | Объем двигателя | 181см ³ | |
| | Топливо | Обычный автомобильный бензин | |
| | Объем топливного бака | 50Гц | 3,8 L |
| | Среднее время непрерывной работы | 3,0 h | |
| | Смазочное масло | Моторное масло класса SE или выше | |
| | Объем смазочного масла | 0,6 L | |
| | Система запуска | Пусковой трос | |
| ГАБАРИТЫ | Длина × Ширина × Высота | 589 × 400 × 405 mm | |
| | Масса | 37 kg | |

Технические параметры могут изменяться без уведомления

| МОДЕЛЬ | | E35SB | | E42SB | |
|----------------------------|-----------------------------------|--|----------------------|-------------------|-------|
| ГЕНЕРАТОР ПЕРЕМЕННОГО ТОКА | Тип | Бесщеточный, вращающееся поле, двухполярный, однофазный | | | |
| | Напряжение переменного тока | 50Гц | 230V | | |
| | Макс. Производительность | 50Гц | 3500W | 4200W | |
| | Номинальная мощность | 50Гц | 2800W | 3600W | |
| | Номинальная сила переменного тока | | 12,2A | 15,7A | |
| | Регулятор напряжения | | Конденсаторного типа | | |
| | Коэффициент мощности | 1,0 | | | |
| Модель | | MITSUBISHI GM291P | | MITSUBISHI GM301P | |
| ДВИГАТЕЛЬ | Тип | С воздушным охлаждением, 4-тактный, OHV (с верхним расположением клапана), бензиновый двигатель | | | |
| | Объем двигателя | 296см ³ | | | |
| | Топливо | Обычный автомобильный бензин | | | |
| | Объем топливного бака | 50Гц | 6,0 L | | |
| | Среднее время непрерывной работы | 3,0 h | | | |
| | Смазочное масло | Моторное масло класса SE или выше | | | |
| | Объем смазочного масла | 1,0 L | | | |
| | Система запуска | Пусковой трос | | | |
| ГАБАРИТЫ | Длина × Ширина × Высота | 683 × 492 × 485 mm | | | |
| | Масса | 55 kg | | | 58 kg |

Технические параметры могут изменяться без уведомления

ТРАНСПОРТИРОВКА / ХРАНЕНИЕ

Транспортировка

⚠ ОСТОРОЖНО: Генератор очень тяжелый. При транспортировке четко следуйте инструкциям.

Перед транспортировкой генератора необходимо выключить двигатель и закрыть сливной кран. Держите генератор ровно во избежание разливания бензина. Возможно возгорание паров бензина..

⚠ ВНИМАНИЕ: Не дотрагивайтесь до двигателя и системы выхлопа: они горячие и могут стать причиной пожара. Перед транспортировкой генератора дайте ему остыть.

Хранение

Убедитесь, что в месте хранения генератора нет влаги и пыли. Храните генератор в сухом, хорошо проветриваемом месте.

⚠ ВНИМАНИЕ: Не дотрагивайтесь до двигателя и системы выхлопа: они горячие, и могут стать причиной пожара. Перед упаковкой и хранением генератора дайте ему остыть.

СБОРКА

⚠ ОСТОРОЖНО: Генератор очень тяжелый и его должен поднимать не один человек. Попросите помощь других людей для перемещения генератора, в противном случае Вы можете получить серьезную травму.

ПРИМЕЧАНИЕ: Перед заливкой бензина или моторного масла вставьте набор колес (опционально: E35SB, E42SB) для предотвращения повреждения двигателя. При вставке аксессуаров после работы с генератором убедитесь, что в баке нет топлива и что крышка топливного бака закрыта, т.е. находится в горизонтальном положении относительно земли. Убедитесь, что масло попадает в двигатель.

СБОРКА НАБОРА ТРАНСПОРТИРОВОЧНЫХ КОЛЕС (ДОПОЛНИТЕЛЬНЫЙ АКСЕССУАР)

(Для моделей E35SB и E42SB)

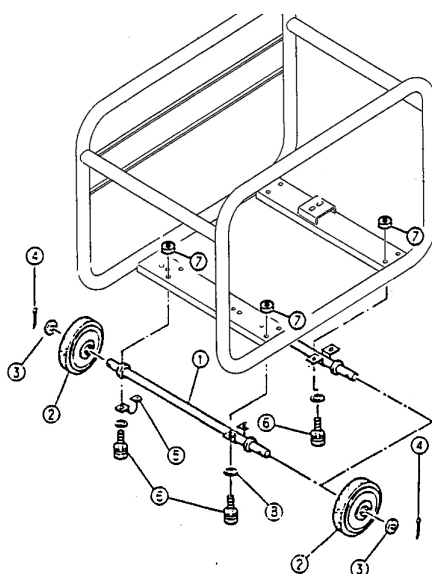


Fig. 5

Порядок сборки транспортировочных колес

1. Слейте масло, открутив крышку дренажного отверстия.
2. Слейте бензин, открутив крышку топливного бака.
3. Установите колеса ② на ось ①.
4. Прикрутите колеса ② шайбами ③ к оси ① и закрепите при помощи шплинта ④.
5. Соберите 2 набора колес.
6. Прикрепите ось с колесами к кронштейну при помощи крепежных скоб ⑤, болтов ⑥, шайб ⑧ и гаек ⑦.
7. Прикрепите две оси к переднему и заднему кронштейнам.

⚠ ОСТОРОЖНО: Для вашей безопасности убедитесь, что колеса закреплены при помощи крепежных скоб. Не запускайте генератор, если он наклонен, его необходимо установить ровно.

ПЕРЕЧЕНЬ ЗАПЧАСТЕЙ: KY90076DA

ПРИМЕНЕНИЕ

Источник энергии для электрических приборов.

⚠ ВНИМАНИЕ: Электроприборы HITCHI с электронным контролем мощности не следует использовать с переносными генераторами. Энергия вырабатывается генератором с перебоями, что может привести к поломке приборов. Возможность использования других электроприборов с электронным контролем мощности с переносными генераторами HITCHI необходимо уточнить у их производителя.

ПОДГОТОВКА К РАБОТЕ

Перед началом работы проверьте уровень масла и топлива. Убедитесь, что воздушный фильтр исправно работает. Следуйте нижеприведенным инструкциям по добавлению масла и топлива.

ПРИМЕЧАНИЕ: Генератор поставляется без масла. Перед запуском двигателя необходимо добавить масло. Каждый раз перед и после работы генератора необходимо проверять уровень масла.

Моторное масло – основной фактор, оказывающий влияние на работу двигателя и срок службы генератора. Неочищенное и двухтактное масло могут повредить двигатель и не рекомендуются к использованию. Используйте 4-тактное моторное масло, уровня SE или выше. Проверяйте наклейку API SERVICE на упаковке с маслом: на ней должны стоять буквы SE. Для работы при обычных условиях и нормальной температуре рекомендуется масло SAE 10W-40. См. рис. с обозначением типов масла, которые рекомендуется использовать при других температурах.

ПРОВЕРКА УРОВНЯ МАСЛА

1. Снимите крышку масляного фильтра и насухо вытрите щуп.
2. Вставьте щуп обратно, не вкручивая его, и проверьте уровень масла.
3. Если на щупе не осталось следов масла, его уровень очень низкий.
4. Если уровень масла низкий, добавьте масло до верхней отметки на щупе.

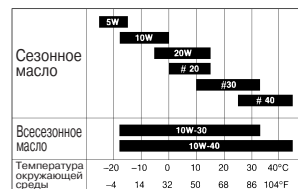


Fig. 6



Fig. 7

ОБЪЕМ МАСЛА

| Модель | Литры |
|--------------|-------|
| E24SB | 0,6 |
| E35SB, E42SB | 1,0 |

ПРИМЕЧАНИЕ: Если уровень масла низкий, система защиты остановит двигатель и предотвратит его перезапуск.



Fig. 8

ТОПЛИВО

⚠ ВНИМАНИЕ: Бензин легко воспламеняется, а его пары взрывоопасны. Во избежание возгорания следуйте следующим инструкциям:

- Держите бензин в недоступном для детей месте.
- Заправляйте генератор в хорошо проветриваемом месте. Не заправляйте генератор при работающем или неостывшем двигателе. Перед заправкой отключите все потребители и остановите двигатель.
- Не переполняйте бензобак. Всегда должно оставаться пространство для выхода паров бензина. Если бак переполнен, бензин может попасть на горячий двигатель, что приведет к возгоранию или взрыву. После заправки плотно закройте крышку бензобака.
- Не проливайте бензин. Бензин и его пары легко возгораются. Если бензин пролился, вытрите его насухо, прежде чем запускать генератор.
- Не курите в процессе заправки генератора. Держите генератор на расстоянии от открытого огня и возможных источников возникновения искры.
- Горючее следует хранить в специальной таре, в хорошо проветриваемом помещении, вдалеке от открытого огня и возможных источников возникновения искры.

ОБЪЕМ ТОПЛИВНОГО БАКА

| Модель | Литры |
|--------------|-------|
| E24SB | 3,8 |
| E35SB, E42SB | 6,0 |

Проверьте уровень топлива и заполните бак, если уровень бензина низкий. Не заливайте бензин выше кромки фильтра топливного бака.

Используйте неэтилированный бензин с октановым числом не ниже 86. Двигатель создан для работы на неэтилированном бензине, который создает меньше ядовитых выбросов и продлевает жизнь системы. Не заливайте несвежий или неочищенный бензин. Предотвращайте попадание грязи или воды в бензобак. При заправке всегда используйте сетчатый фильтр топливного бака.

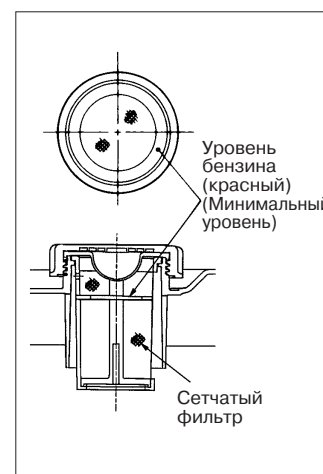


Fig. 9

РАБОТА С ГЕНЕРАТОРОМ

ЗАПУСК ДВИГАТЕЛЯ

⚠ ВНИМАНИЕ: Перед запуском генератора внимательно ознакомьтесь с данным Руководством.

1. Отключите от генератора все потребители энергии и выключите прерыватель основной цепи.

2. Откройте топливный кран.

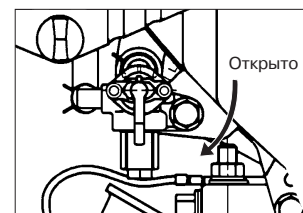


Fig. 10

3. Включите генератор (переставьте выключатель в положение "ВКЛ").

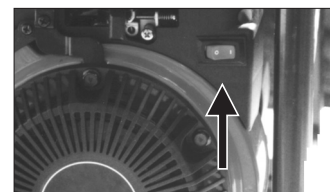


Fig. 11

4. Переставьте воздушную заслонку карбюратора в положение CLOSE (Закртыо). Это не требуется, если двигатель уже разогрет.

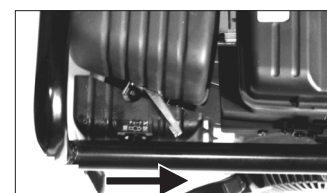


Fig. 12

5. Медленно потяните трос стартера до тех пор, пока не почувствуете сопротивление. Это точка «компрессии». Верните трос в первоначальное положение и резко потяните на себя.

- Не вытягивайте трос до конца
- После запуска двигателя верните трос в изначальное положение, не отпуская при этом его ручку.
- Если после нескольких попыток двигатель не был запущен, верните заслонку карбюратора в положение OPEN и попробуйте повторить вышеописанные действия.

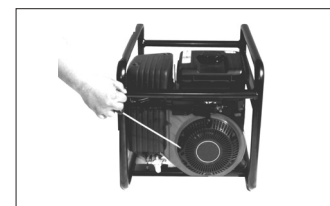


Fig. 13

6. После запуска двигателя постепенно верните заслонку в положение OPEN.

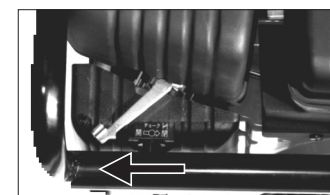


Fig. 14

7. Двигатель необходимо разогреть на протяжении нескольких минут без подключения потребителей.

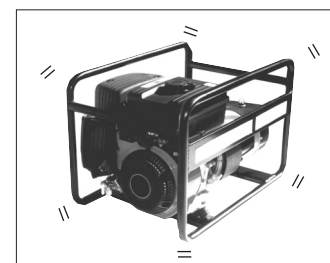


Fig. 15

ПРИМЕЧАНИЕ: Не допускайте, чтобы трос стартера резко вернулся в обратное положение, верните его медленно вручную.

ПРИМЕЧАНИЕ: Если в двигателе недостаточно масла, он не запустится. Если двигатель не запускается, проверьте уровень масла и при необходимости добавьте масло.

ПРИМЕЧАНИЕ: Генератор следует установить на ровной поверхности для того, чтобы обеспечить достаточное смазывание двигателя маслом.

ИСПОЛЬЗОВАНИЕ ЭЛЕКТРОЭНЕРГИИ

1. Выключите электрические приборы перед их подключением к генератору.
2. Вставьте вилку(и) прибора(ов) в розетку(и) генератора.
 - Проверьте силу тока в розетках: она должна быть не более 16А.
 - Убедитесь, что общая сумма мощности в Ваттах во всех приборах не превышает номинальную мощность генератора.
3. Снова включите приборы.

⚠ ВНИМАНИЕ: Необходимо сделать заземление генератора, если подключенные к нему электрические приборы заземлены.

ПРИМЕЧАНИЕ: Если генератор перегружен, прерыватель цепи автоматически активируется и выключит генератор. Уменьшите нагрузку и выключите прерыватель цепи (переключите его в положение RESET). После этого снова запустите генератор.

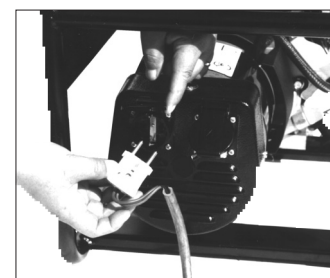


Fig. 16

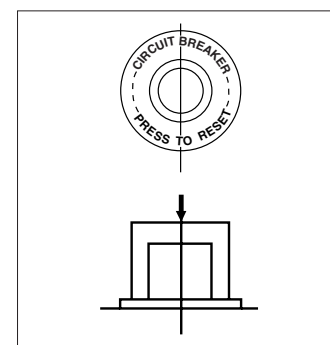


Fig. 17

ВЫКЛЮЧЕНИЕ ГЕНЕРАТОРА

1. Выключите или отсоедините все приборы от генератора.
2. После этого дайте генератору поработать около 3 минут без дополнительной нагрузки.

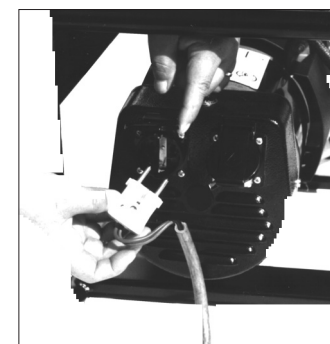


Fig. 18

3. Установите выключатель в положение STOP.
4. Закройте топливный кран.

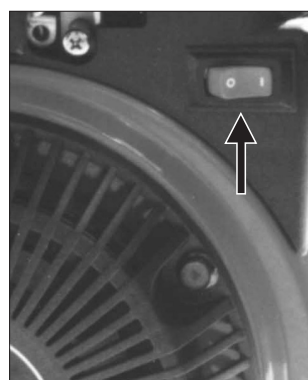


Fig. 19

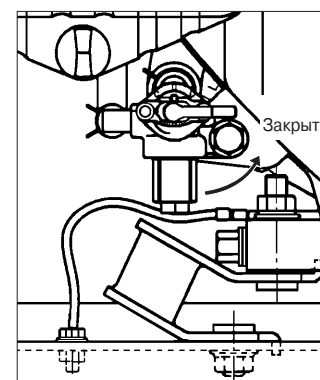


Fig. 20

ДАТЧИК МАСЛА

- Датчик масла определяет падение уровня масла в картере двигателя и автоматически останавливает работу двигателя, когда уровень масла опускается ниже минимально допустимого.
- После автоматической остановки двигателя проверьте уровень масла
- Если двигатель не запускается стандартной процедурой, проверьте уровень масла.

• Запуск.

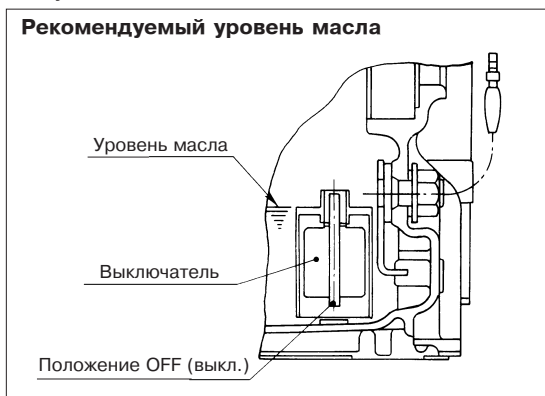


Fig. 21

• Остановка двигателя

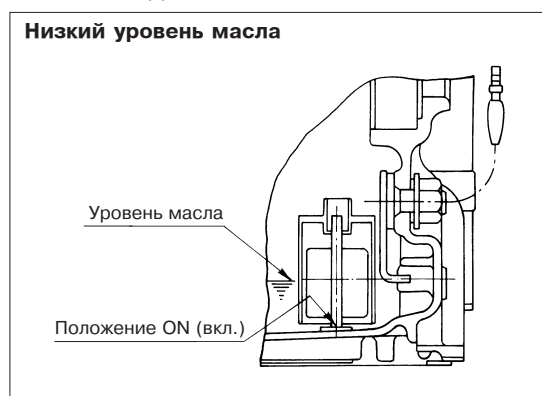


Fig. 22

ДИАПАЗОН ПРИМЕНЕНИЯ

Рекомендуется использовать источники переменного тока следующей мощности:

| Приборы | Модель генератора | Диапазон | Примечания |
|--|-------------------|------------|--|
| | | 50Гц | |
| Осветительные приборы, обогреватели, радио, телевизор  | E24SB | До 2100 Вт | • Приборы, которым необходима высокая сила тока для включения, нельзя использовать, даже если они находятся в обозначенном диапазоне. • Прерыватель цепи выключает генератор, если сила тока превышает допустимый диапазон или если прибор неисправен |
| | E35SB | До 2800 Вт | |
| | E42SB | До 3600 Вт | |
| Однофазные двигатели  | E24SB | До 700 Вт | |
| | E35SB | До 900 Вт | |
| | E42SB | До 1100 Вт | |

⚠ ВНИМАНИЕ: Электроприборы HITCHI с электронным контролем мощности не следует использовать с переносными генераторами. Энергия вырабатывается генератором с перебоями, что может привести к поломке приборов. Возможность использования других электроприборов с электронным контролем мощности с переносными генераторами HITCHI необходимо уточнить у их производителя

НЕИСПРАВНОСТИ И ИХ УСТРАНЕНИЕ

Двигатель не запускается:

1. Проверьте, достаточно ли бензина в бензобаке. При необходимости, добавьте топливо.
 2. Проверьте масло. Долейте масло до максимального уровня.
 3. Убедитесь, что топливный кран открыт. Топливный кран открыт в то случае, если рычаг находится перпендикулярно относительно земли.
 4. Проверьте, чтобы наконечник свечи зажигания был надежно соединен с контактом свечи зажигания.
 5. Проверьте воздушный фильтр. Очистите его или при необходимости замените.
 6. Отсоедините все потребители от генератора, запустите двигатель.
 7. Следуйте инструкциям по запуску двигателя на стр.29 данного Руководства.
- Если после этого двигатель снова не запускается:

1. Потяните трос стартера 5-6 раз.
2. Снимите и проверьте свечу зажигания.

Свеча зажигания сухая:

1. Убедитесь, что в баке есть свежее топливо и что топливный кран открыт.
2. Установите обратно свечу зажигания и наденьте наконечник.
3. Попробуйте снова запустить двигатель, следуя инструкциям на стр.29 данного Руководства.
4. Если двигатель не запускается, обратитесь в авторизованный сервисный центр HITCHI.

Свеча зажигания влажная:

1. Почистите, отрегулируйте зазор или замените свечу.
2. Установите обратно свечу зажигания и наконечник.
3. Снова попытайтесь запустить двигатель, следуя инструкциям на стр.29 данного Руководства.
4. Если двигатель не запускается, обратитесь в авторизованный сервисный центр HITCHI.

В розетках нет напряжения:

1. Отключите все потребители от генератора.
2. Снова подключите все приборы, убедившись, что вилки хорошо подключены к розеткам.
3. Если в розетках нет напряжения, обратитесь в авторизованный сервисный центр HITCHI.

ТЕХНИЧЕСКОЕ ОБСЛУЖИВАНИЕ

НЕОБХОДИМОСТЬ ПРАВИЛЬНОГО ТЕХНИЧЕСКОГО ОБСЛУЖИВАНИЯ

Правильное и своевременное техническое обслуживание обеспечивает безопасную, экономичную работу без перебоев, а также уменьшает уровень вредных выбросов при выхлопе.

- ⚠ ВНИМАНИЕ:** Неправильная эксплуатация или вовремя не устраненная неисправность могут привести к неправильной работе прибора, серьезным травмам или смерти человека. Следуйте рекомендациям по эксплуатации и плану проведения сервисных работ, приводимым в данном Руководстве.
- Ниже приводится план проведения сервисных работ, простейшие процедуры проверки генератора, а также основные процедуры, которые можно осуществлять своими силами. Если вы не можете самостоятельно осуществлять какие-то процедуры, обратитесь к специалисту.
- Сервисное обслуживание, замена запасных частей или ремонт должны производиться только специалистами, при этом необходимо использовать только оригинальные запасные части..

БЕЗОПАСНОСТЬ СЕРВИСНОГО ОБСЛУЖИВАНИЯ

- ⚠ ВНИМАНИЕ:** Следуйте инструкциям и мерам предосторожности данного Руководства. Несоблюдение рекомендаций может привести к серьезным травмам или смерти человека..

МЕРЫ ПРЕДОСТОРОЖНОСТИ

- ⚠ ОСТОРОЖНО:** Перед началом ремонтных работ убедитесь, что двигатель выключен, это исключит возможность возникновения опасностей, таких как:

- Отравление парами монооксида углерода, содержащейся в выбросах двигателя. При работе с генератором необходимо обеспечить хорошую вентиляцию.
- Ожоги от горячих частей генератора. Не дотрагивайтесь до двигателя и выхлопной системы генератора, пока они не остынут.
- Травмы от движущихся частей. Необходимо использовать соответствующую одежду, собирать длинные волосы и быть аккуратными при работе с генератором для предотвращения травм от движущих частей прибора.

Внимательно ознакомьтесь с инструкциями и убедитесь, что у вас есть все необходимые инструменты и навыки для начала сервисных работ.

Всегда лучше обратиться в специально оборудованный авторизованный сервисный центр к профессионально обученным людям.

Для обеспечения бесперебойной и надежной работы генератора используйте для ремонта только новые и оригинальные запасные части или их аналоги.

⚠ ОСТОРОЖНО: Для снижения риска возгорания или взрыва будьте осторожны при работе с бензином. Для очистки запчастей используйте только невоспламеняющиеся чистящие жидкости, не содержащие бензин. Не подносите табак, искры или источники огня к частям, в/на которых может быть бензин.

ПЛАН ПРОВЕДЕНИЯ СЕРВИСНЫХ РАБОТ

| | |
|-------------------------------|---|
| Ежедневно | <ul style="list-style-type: none"> ● Проверка воздушного фильтра ● Проверка уровня масла и при необходимости доливка до максимальной отметки ● Проверка уровня масла на щупе, утечки масла и бензина, гаек и болтов. |
| Каждые 50 часов (еженедельно) | <ul style="list-style-type: none"> ● Очистка и промывка фильтрующего элемента воздушного фильтра. Рекомендуется делать чаще, если работа производится в грязной или пыльной среде. ● Замена моторного масла. (Первая замена масла производится через 25 часов после первого запуска генератора) ● Проверка состояния свечи зажигания, ее очистка и при необходимости регулировка зазора. ● Проверка и очистка подающего топливного клапана. |
| Каждые 100 часов | <ul style="list-style-type: none"> ● Замена свечи зажигания ● Замена элемента воздушного фильтра ○ Очистка нагара на поверхностях цилиндра, клапанов и поршня |
| Каждые 3 года | <ul style="list-style-type: none"> ○ Проверка элементов панели управления ○ Проверка ротора и статора ○ Замена опорных резиновых амортизаторов двигателя. ○ Переборка двигателя ● Очистка топливопроводных шлангов |

ПРИМЕЧАНИЕ: Первая замена масла должна производиться через первые 25 часов работы. Далее необходимо менять масло через каждые 50 часов работы генератора. Перед сменой масла заблаговременно позаботьтесь о безопасном способе утилизации отработанного масла. Использованное масло должно быть утилизировано в соответствии с существующими правилами по защите окружающей среды. Не выливайте масло в водостоки, на почву или в открытые водоемы. Пункты, обозначенные знаком ○, должны выполняться профессионалами и при помощи специальных инструментов, поэтому необходимо обратиться в авторизованный сервисный центр HITACHI.

ЗАМЕНА МОТОРНОГО МАСЛА

Менять масло необходимо через каждые 50 часов работы генератора. (для новых генераторов замена масла производится после 25 часов).

1. Снимите дренажную пробку и открутите крышку масляного фильтра для слива масла, пока двигатель еще не до конца остыл, и слейте старое масло.
2. Вставьте дренажную пробку обратно и залейте масло до максимальной отметки.
 - Всегда используйте только свежее смазочное масло высокого качества. При использовании неочищенного или загрязненного масла или при недостаточном количестве масла в двигателе, возникает возможность серьезной поломки двигателя, а также существенно сокращается срок его службы.

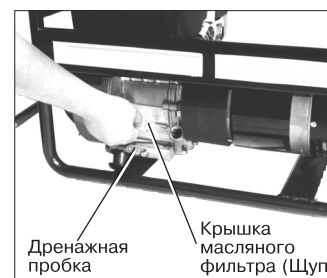


Fig. 23

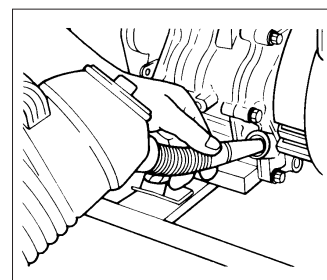


Fig. 24

После замены масла тщательно вымойте руки с мылом и водой.

При утилизации отработанного масла, а также тары не нанесите вред окружающей среде. Рекомендуем отнести его в плотно закрытом контейнере в сервисный центр или в центр утилизации. Не выбрасывайте вместе с другим мусором, не выливайте на землю или в водостоки.

ПРИМЕЧАНИЕ: Во время работы генератора крышка масляного бака должна быть плотно закрыта, в противном случае возможно разбрызгивание масла..

ВОЗДУШНЫЙ ФИЛЬТР

Загрязненный воздушный фильтр ограничивает приток воздуха в карбюратор. Регулярно проверяйте и очищайте воздушный фильтр для обеспечения правильной работы карбюратора. При работе в загрязненной среде фильтр рекомендуется проверять и чистить чаще.

ПРИМЕЧАНИЕ: Не запускайте двигатель при отсутствии воздушного фильтра, это приведет к его быстрому износу.

1. Снимите элемент воздушного фильтра, очистите при помощи керосина и вытрите насухо.
2. Промочите его в чистом моторном масле и отожмите.
3. Вставьте фильтрующий элемент обратно в корпус фильтра и закройте крышку.

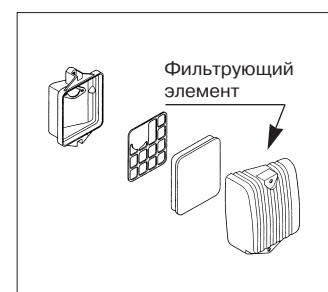


Fig. 25

ОЧИСТКА ТОПЛИВНОГО ФИЛЬТРА

Грязь и вода, попадающие в бензин, задерживаются топливным фильтром.

1. Снимите крышку накопительного топливного фильтра и очистите его от воды и грязи.
2. Очистите сетчатый фильтр и накопитель фильтра при помощи бензина.
3. Плотно закрутите накопительный фильтр, убедитесь, что нет протечек бензина.



Fig. 26

СВЕЧА ЗАЖИГАНИЯ

Замена/очистка свечи зажигания

Для снятия и установки свечи зажигания используйте свечной ключ (входит в комплект)

РЕКОМЕНДОВАННЫЙ ТИП СВЕЧИ И ЗАЗОР

| Модель | Тип свечи | Зазор |
|------------|--------------|--------------|
| E24SB | BPR6HS (NGK) | 0.6 – 0.7 mm |
| E35SB,42SB | BPR5ES (NGK) | 0.7 – 0.8 mm |

Для обеспечения нормальной работы двигателя необходимо очистить свею зажигания от нагара и при ее установке оставить зазор, как указано выше.

⚠ ОСТОРОЖНО: Если двигатель был выключен недавно, глушитель может быть очень горячим, не дотрагивайтесь до него. Перед тем, как снимать свечу зажигания, убедитесь, что двигатель остыл.

1. Снимите колпачок свечи зажигания.
2. Очистите грязь у основания свечи зажигания.
3. Снимите свечу зажигания при помощи свечного ключа.
4. Осмотрите свечу. Если изолятор свечи треснул, то свечу необходимо заменить. При дальнейшем использовании свечи зажигания, очистите ее от нагара помощью проволочной щетки.
5. Измерьте зазор между контактами свечи с помощью щупа для измерения зазоров. При необходимости отрегулируйте зазор путем аккуратного сгибания бокового электрода (см. рис 27).
6. Убедитесь, что уплотнительное кольцо свечи зажигания установлено ровно. Если нет, поправьте его во избежание перегиба.
7. После установки свечи зажигания закрутите ее так, чтобы плотно зажать уплотнительное кольцо. При установке новой свечи, поверните ее на 1/2 оборота сильнее, после того как уплотнительное кольцо было полностью прижато. При установке уже работавшей свечи поверните ее с усилием на 1/8-1/4 оборота, после того как уплотнительное кольцо было полностью прижато.

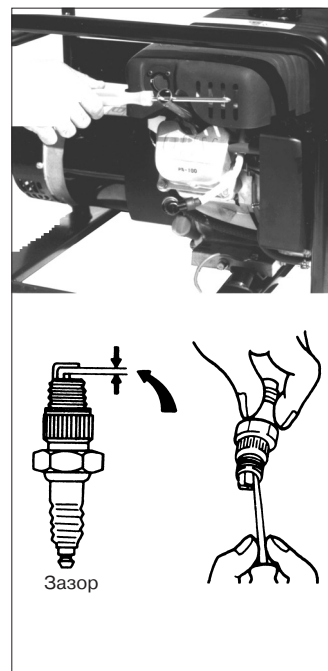


Fig. 27

ПРИМЕЧАНИЕ: Свечу зажигания необходимо плотно закрутить. В противном случае свеча будет нагреваться, что может повредить двигатель. Не используйте свечи с неподходящим диапазоном температур. Используйте только рекомендованные типы свечей или их аналоги.

ПОДГОТОВКА К ХРАНЕНИЮ

Перед консервацией генератора на срок более чем 3 месяца необходимо осуществить следующие мероприятия:

1. Аккуратно слейте бензин из топливного бака. Остатки топлива могут испортиться, что в дальнейшем затруднит запуск двигателя.
2. Открутите дренажный винт на дне карбюраторной поплавковой камеры и полностью слейте бензин.
3. Замените моторное масло.
4. Проверьте все винты и болты, при необходимости подкрутите.
5. Тщательно протрите генератор промасленной тряпкой. При возможности обработайте консервационным составом.
НЕ ПРОТИРАЙТЕ ГЕНЕРАТОР ВОДОЙ!
6. Натяните трос стартера, пока не почувствуете сопротивление, и оставьте в таком положении.
7. Генератор следует хранить в хорошо проветриваемом помещении с низкой влажностью воздуха.



Fig. 28

ОБСЛУЖИВАНИЕ И РЕМОНТ

Для всех генераторов необходимо вовремя проводить сервисное обслуживание и замену запасных частей. При ремонте и сервисном обслуживании необходимо использовать только оригинальные запасные части, ремонт должен производиться только авторизованными сервисными центрами HITAHI.

МОНТАЖНАЯ СХЕМА

E24SB, E35SB, E42SB

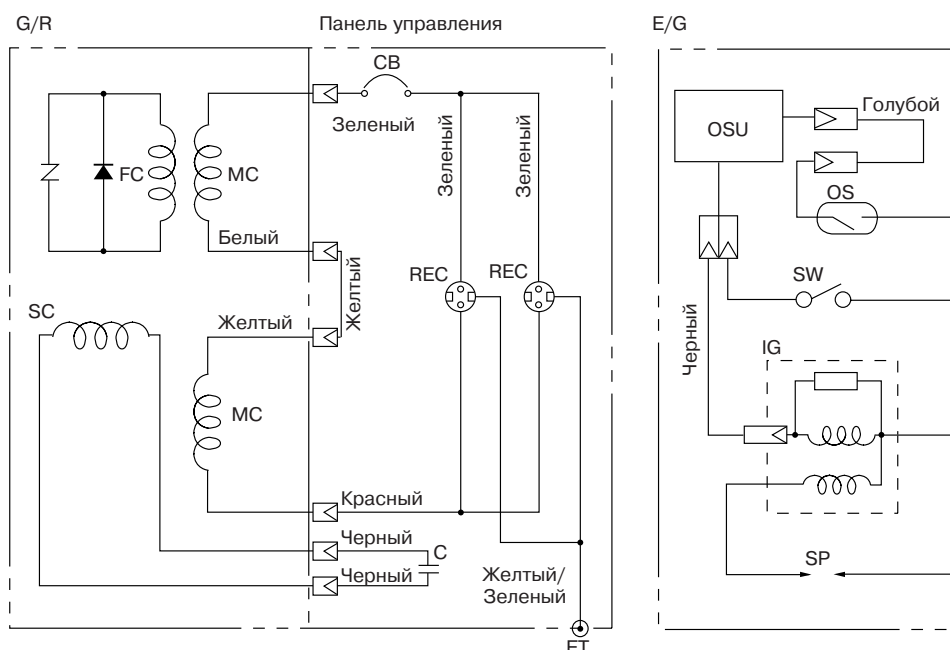


Fig. 29

| Символ | Деталь | Символ | Деталь | Символ | Деталь |
|--------|-------------------------|--------|--------------------------|--------|-------------------|
| E/G | Двигатель | R | Ротор | CB | Прерыватель цепи |
| G/R | Генератор | OSU | Датчик масла | C | Конденсатор |
| C-BOX | Панель управления | ET | Точка заземления | SW | Выключатель |
| MC | Провод переменного тока | SP | Свеча зажигания | IG | Катушка зажигания |
| SC | Дополнительная обмотка | REC | Розетка переменного тока | | |
| FC | Обмотка электромагнита | OS | Датчик уровня масла | | |

EC DECLARATION IN CONFORMITY WITH THE PROVISIONS OF THE APPROPRIATE MACHINERY DIRECTIVE

MANUFACTURER: MITSUBISHI HEAVY INDUSTRIES LTD.
INDUSTRIAL MACHINERY & SPECIAL VEHICLE HEADQUARTER
MEIKI GASOLINE ENGINE DEPARTMENT
IWATSKA-CHO, NAKAMURA-KU, NAGOYA 453-8515, JAPAN

DESCRIPTION OF THE MACHINERY:

1. CATEGORY : GASOLINE ENGINE GENERATOR
2. MAKE : MITSUBISHI
3. TYPE : E24SB, E35SB, E42SB
4. SERIAL NUMBER : E24SB (000001~)
E35SB (000001~)
E42SB (000001~)

REFERENCE TO HARMONIZED DIRECTIVES:

MACHINERY DIRECTIVES: 98/37/EC
OTHER DIRECTIVE: 89/336/EEC, 73/23/EEC, 2000/14/EC

SIGNED BY:



YOSHIHARU MIZUI
MANAGER, QUALITY ASSURANCE
MITSUBISHI HEAVY INDUSTRIES LTD.

DATE DECEMBER 2006

ЕВРОПЕЙСКАЯ ДЕКЛАРАЦИЯ СООТВЕТСТВИЯ ДИРЕКТИВЕ ПО ОБОРУДОВАНИЮ

ПРОИЗВОДИТЕЛЬ: MITSUBISHI HEAVY INDUSTRIES LTD.
INDUSTRIAL MACHINERY & SPECIAL VEHICLE HEADQUARTER
MEIKI GASOLINE ENGINE DEPARTMENT
IWATSKA-CHO, NAKAMURA-KU, NAGOYA 453-8515, Япония

Описание продукта:

1. Категория : Бензиновый моторный генератор
2. Производитель : MITSUBISHI
3. Модели : E24SB, E35SB, E42SB
4. СЕРИЙНЫЙ НМЕР: E24SB (000001~)
E35SB (000001~)
E42SB (000001~)

Ссылки на постановления:

Постановление об оборудовании: 98/37/EC
Другие постановления: 89/336/EEC, 73/23/EEC, 2000 14EC.

Подпись:



YOSHIHARU MIZUI
Менеджер, гарантия качества
MITSUBISHI HEAVY INDUSTRIES LTD.

ДАТА: ДЕКАБРЬ 2006





ME77

 **Hitachi Koki Co., Ltd.**

612
Code No. C99160191
Printed in Japan
Mfg.code.KN55084AA